

JC73404 Skydisc IP20 10W 5700K 770Lm



Features & Benefits

- Polycarbonate construction
- Three sizes available
- Ultra low profile design
- Non-dimmable

General Information

Product Group	LED - Recessed
Product Range	Skydisc IP20
Trade Name	Skydisc
Light Source	LED
Light Source Features	Cool White
Lighting Product Type	Downlight
Product Shape	Round
Mounting	Recessed
Product Weight	0.248kg
Color Finish	White
Overall Dimensions (mm) Rim	Ø170mm
Recommended Product Location	Interior Recessed
Method Of Fix	Spring Clips (supplied)

JCC Lighting

Innovation Centre, Beeding Close, Southern Cross
 Trading Estate, Bognor Regis, West Sussex, PO22 9TS
 Company Registration Number: 03044848 | VAT Number: 918544112
 T: 01243 838999 | F: 01243 838998 | sales@jcc.co.uk | www.jcc.co.uk

Product Aperture Size	160mm
IP Rating	IP20
Environment	Indoor
Luminaire Accessories	Emergency remote pack JCEM001
Origin Of Manufacture	Made In China
Warranty	2 years standard warranty extends to 3 years when registered within the first year of purchase (See Website for terms and conditions)
Driver Manufacturer	JCC
LED Manufacturer/Type	Runlite

Electrical

Voltage Rating	220-240
Secondary Running Current	240mA
Primary Running Current	73mA
Operating Frequency (Hz)	50/60Hz
CC or CV	Constant Currant
Luminaire Circuit Wattage	10
Class	II: Double Insulated, no Earth required.
Output Voltage (V)	33.6-39.6VDC
EMC Compliant (EN55015)	Yes
Power Factor Correction	0.9
Input Electrical Connections	Live & Neutral
Dimmable	No

Thermals

Insulation Coverage	Do not cover with insulation
----------------------------	------------------------------

Performance Data

Energy Rating	A+
Actual Lumen Output	770
Lumens Per Circuit Watt	77
LED Life (Hours) (L70)	30000
	Hours life stated is an indication of expected L70 chip and light output calculations when operating in optimum conditions. Product warranty period supports the full product during the term given. The L70 hours expectancy is not correlated with the full product warranty term, nor is it a representation of lumen depreciation during the warranty period.
Color Rendering Index	80-89
CRI: Ra	80
Correlated Color Temperature	5700K
Light Distribution Detail	120-degree
LOR (Light Output Ratio) %	100%

JCC Lighting

Innovation Centre, Beeding Close, Southern Cross
Trading Estate, Bognor Regis, West Sussex, PO22 9TS
Company Registration Number: 03044848 | VAT Number: 918544112

T: 01243 838999 | F: 01243 838998 | sales@jcc.co.uk | www.jcc.co.uk

Photometry Available	Yes
-----------------------------	-----

Construction

Primary Material	Polycarbonate
-------------------------	---------------

Packaging

Quantity Per Outer Carton	40
----------------------------------	----

Bar Code EAN Number	5052544102257
----------------------------	---------------

Standards & Approvals

Listings	CE
-----------------	----

Manufactured In Accordance To	BS EN 60598:2015, 2-1, 2-2
--------------------------------------	----------------------------

CE Marked	Yes
------------------	-----

WEEE Symbol	Yes
--------------------	-----

Certificate Of Conformity	Yes: available on request.
----------------------------------	----------------------------

Accredited Members	LIA, ISO9001:2015, ISO14001:2015
---------------------------	----------------------------------

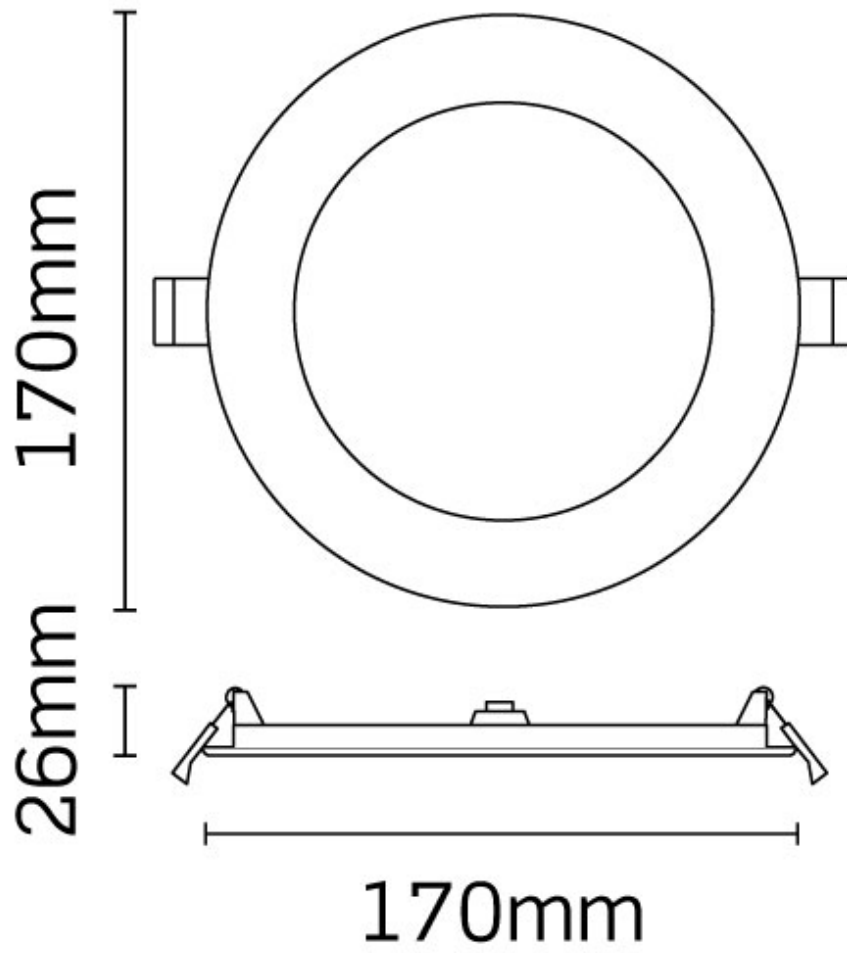
JCC Lighting

Innovation Centre, Beeding Close, Southern Cross

Trading Estate, Bognor Regis, West Sussex, PO22 9TS

Company Registration Number: 03044848 | VAT Number: 918544112

T: 01243 838999 | F: 01243 838998 | sales@jcc.co.uk | www.jcc.co.uk



JCC Lighting

Innovation Centre, Beeding Close, Southern Cross
Trading Estate, Bognor Regis, West Sussex, PO22 9TS
Company Registration Number: 03044848 | VAT Number: 918544112

T: 01243 838999 | F: 01243 838998 | sales@jcc.co.uk | www.jcc.co.uk