



a **LEVITON**
company

JC71931/30X60EM

Toughbay Linear 100W 30° x 60° Beam 1-10V Dimmable Emergency



Remote pack not shown- see profile drawing for dimensions

Features & Benefits

- Ultra efficient up to 140 lumens per circuit Watt
- IP65 protection against dust and moisture
- Multiple lenses available
- 1-10V dimmable as standard
- 30°x60° lens option, suitable for racking applications
- Step dimming available with remote control
- Emergency versions available

General Information

Product Group	LED - Surface
Product Range	Toughbay™ Linear
Trade Name	Toughbay
Light Source	LED
Light Source Features	Crisp White
Lighting Product Type	Linear Lighting
Lighting Product Type	Emergency Lighting
Product Shape	Rectangular
Mounting	Surface Mounted
Product Weight	5.7kg
Color Finish	Black

JCC Lighting

Innovation Centre, Beeding Close, Southern Cross
Trading Estate, Bognor Regis, West Sussex, PO22 9TS
Company Registration Number: 03044848 | VAT Number: 918544112

T: 01243 838999 | F: 01243 838998 | sales@jcc.co.uk | www.jcc.co.uk

Overall Dimensions	503mm x 125mm x 156mm
Recommended Product Location	Warehouse applications
Method Of Fix	Suspension eye
IP Rating	IP65
Environment	Indoor
Suitable For Zones	Zone 1
Luminaire Accessories	Suspended chains + hook
Distance From Lighted Object	0.3m
Origin Of Manufacture	Made in China
Warranty	2 years standard warranty extends to 7 years when registered within the first year of purchase (2 year on batteries)(See Website for terms and conditions)
Dimming Protocol Compatibility	1-10V
Driver Manufacturer	Philips Xitanium
LED Manufacturer/Type	Philips Lumileds 3030

Electrical

A Cable	Yes
Voltage Rating	220-240
Secondary Running Current	1050mA
Primary Running Current	0.46 - 0.55Amp
Operating Frequency (Hz)	50/60Hz
CC or CV	CC
Luminaire Circuit Wattage	100W
Class	Class 1, must be earthed
Output Voltage (V)	42-95VDC
Total Harmonic Distortion (THD)%	<10%
EMC Compliant (EN55015)	Yes
Power Factor Correction	0.95 @ 230V~
Input Electrical Connections	Switched live(brown), un/switched live(black)neutral(blue) earth(yellow/green)
Dimmable	Yes

Emergency Data

Load Voltage	90-200VDC
Nominal Battery Current	1.1 Amp
Recharge Time	24 hours
Battery Specification	7.2V 4Ah NiCd 6 Cells
Battery Type	NiCd
Battery Life In Emergency Mode	3 hours
Charge Current	140mA NOM
DDP Protection	Yes
LOR In Emergency Mode	6.34%(779 lumens)

JCC Lighting

Innovation Centre, Beeding Close, Southern Cross
Trading Estate, Bognor Regis, West Sussex, PO22 9TS
Company Registration Number: 03044848 | VAT Number: 918544112

T: 01243 838999 | F: 01243 838998 | sales@jcc.co.uk | www.jcc.co.uk

Inverter PFC	0.88
---------------------	------

Thermals

Max Luminaire Ambient Temp.	45°C
Max Driver/Ballast Ambient Temp.	-30°C to 60°C

Performance Data

Energy Rating	A+
Actual Lumen Output	14000
Lumens Per Circuit Watt	140 LpcW
Standard Deviation Colour Matching - SDCM	<6
LED Life (Hours) (L70)	50000

Hours life stated is an indication of expected L70 chip and light output calculations when operating in optimum conditions. Product warranty period supports the full product during the term given. The L70 hours expectancy is not correlated with the full product warranty term, nor is it a representation of lumen depreciation during the warranty period.

Color Rendering Index	50-79
CRI: Ra	70
Correlated Color Temperature	5700K
Light Distribution Detail	30x60-degree
LOR (Light Output Ratio) %	100%
Photometry Available	Yes
Overload Protection	yes, Auto reset

Construction

Primary Material	Aluminum
Lens	Polycarbonate
Heat Sink	Aluminium
Driver Housing	Aluminium

Packaging

Bar Code EAN Number	5052544099670
Packaged Weight	6.1kg

Standards & Approvals

Listings	CE
Listings	Damp Location
Listings	RoHS
Listings	Wet Location
Manufactured In Accordance To	BS 60598-1-2015, 2-22
CE Marked	Yes

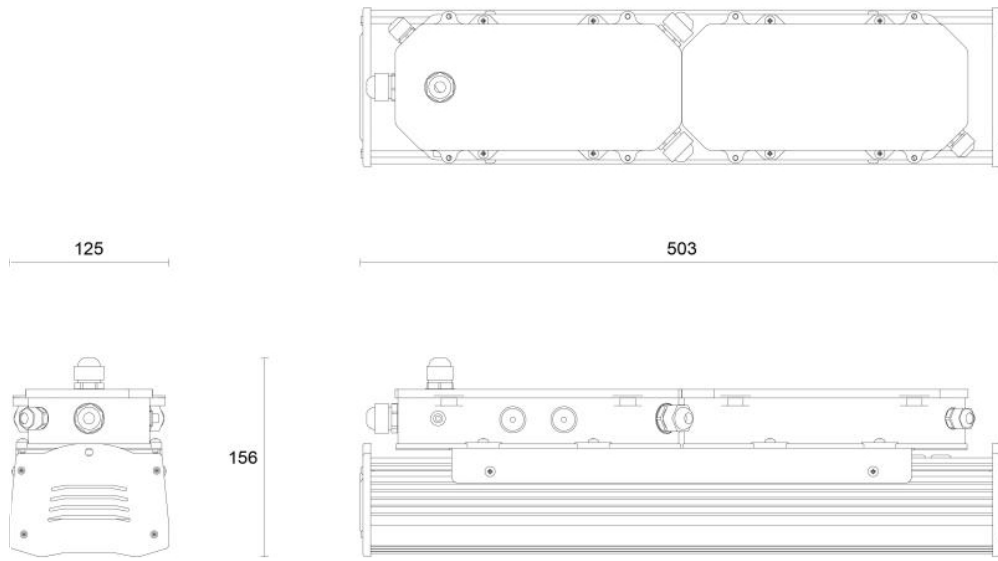
JCC Lighting

Innovation Centre, Beeding Close, Southern Cross
Trading Estate, Bognor Regis, West Sussex, PO22 9TS
Company Registration Number: 03044848 | VAT Number: 918544112
T: 01243 838999 | F: 01243 838998 | sales@jcc.co.uk | www.jcc.co.uk

Batch Coded	Yes
WEEE Symbol	Yes
Certificate Of Conformity	Available on request
Accredited Members	LIA, ISO9001-2015, ISO14001-2015

JCC Lighting

Innovation Centre, Beeding Close, Southern Cross
Trading Estate, Bognor Regis, West Sussex, PO22 9TS
Company Registration Number: 03044848 | VAT Number: 918544112
T: 01243 838999 | F: 01243 838998 | sales@jcc.co.uk | www.jcc.co.uk



JCC Lighting

Innovation Centre, Beeding Close, Southern Cross
Trading Estate, Bognor Regis, West Sussex, PO22 9TS
Company Registration Number: 03044848 | VAT Number: 918544112
T: 01243 838999 | F: 01243 838998 | sales@jcc.co.uk | www.jcc.co.uk