

JC234203EM

RadiaLED Style Mains IP44 Ø410mm Bulkhead 30W 4000K LED Opal EM



Features & Benefits

- IP44 protection against dust and moisture
- Ideal for corridor and stairwell applications
- Smooth and even light distribution
- Zero maintenance, no need to relamp
- DALI/1-10V dimmable options

General Information

Product Group	LED - 3M Surface
Product Range	Style
Trade Name	RadiaLED
Light Source	LED
Light Source Features	Neutral White
Lighting Product Type	Emergency Lighting
Lighting Product Type	Ceiling Mount
Lighting Product Type	Surface Light
Lighting Product Type	Wall Light
Product Shape	Round
Mounting	Ceiling
Color Finish	White

JCC Lighting

Innovation Centre, Beeding Close, Southern Cross
Trading Estate, Bognor Regis, West Sussex, PO22 9TS
Company Registration Number: 03044848 | VAT Number: 918544112

T: 01243 838999 | F: 01243 838998 | sales@jcc.co.uk | www.jcc.co.uk

Overall Dimensions	410 x 147
Recommended Product Location	Suitable for indoor use and exterior covered walkways
Method Of Fix	Surface mount
IP Rating	IP44
Environment	Indoor
Suitable For Zones	Zone 2
Origin Of Manufacture	Made in China
Warranty	2 years standard warranty extends to 5 years when registered within the first year of purchase (2 year on batteries) (See Website for terms and conditions)
Driver Manufacturer	LEDTU
LED Manufacturer/Type	BMTC

Electrical

Voltage Rating	220-240
Secondary Running Current	500mA
Primary Running Current	0.32A
Operating Frequency (Hz)	50/60Hz
CC or CV	Constant Current
Luminaire Circuit Wattage	30
Class	Class I, must be earthed
Output Voltage (V)	48~80VDC
Power Factor Correction	>0.9
Input Electrical Connections	Switched Live(brown), Unswitched Live(Black), Earth(yellow/green), Neutral(Blue)
Dimmable	No

Emergency Data

Load Voltage	230-240V~
Nominal Battery Current	1.1A
Recharge Time	24 Hours
Battery Specification	3 cell C Type NI-MH 4000mAh (3.6V total)Parallel
Battery Life In Emergency Mode	3 Hours
Charge Current	200mA NOM
DDP Protection	Yes
LOR In Emergency Mode	10%
Inverter PFC	0.88

Thermals

Max Luminaire Ambient Temp.	25°C
Max Driver/Ballast Ambient Temp.	45°C
Thermal Cut Out	Yes

JCC Lighting

Innovation Centre, Beeding Close, Southern Cross
Trading Estate, Bognor Regis, West Sussex, PO22 9TS
Company Registration Number: 03044848 | VAT Number: 918544112

T: 01243 838999 | F: 01243 838998 | sales@jcc.co.uk | www.jcc.co.uk

Performance Data

Energy Rating	A+
Actual Lumen Output	2900
Lumens Per Circuit Watt	97
Color Rendering Index	80-89
CRI: Ra	80
Correlated Color Temperature	4000K
Light Distribution Detail	120-degree
LOR (Light Output Ratio) %	100%
Photometry Available	yes

Construction

Primary Material	Steel
Diffuser Material	Polycarbonate
Outer Diffuser	Polycarbonate
Heat Sink	Extruded aluminium
Driver Housing	Polycarbonate

Packaging

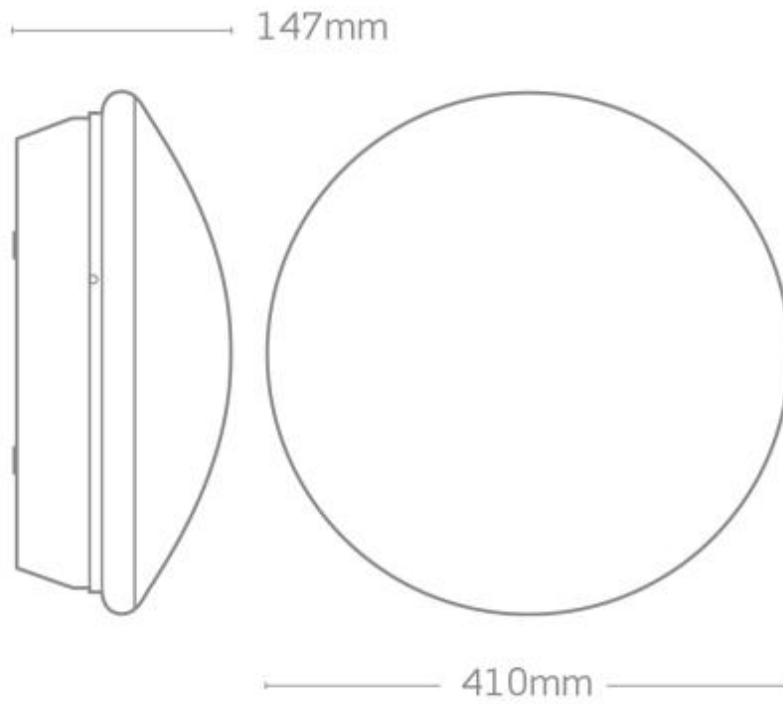
Luminaire Carton Dimensions	41 x 16 x 41cm
Quantity Per Outer Carton	6
Bar Code EAN Number	5052544080982

Standards & Approvals

Listings	CE
Listings	RoHS
Listings	Wet Location
Manufactured In Accordance To	BS EN 60598-2-1,2-22
CE Marked	Yes
Batch Coded	Yes
WEEE Symbol	Yes
Accredited Members	LIA, ISO9001:2015, ISO14001:2015

JCC Lighting

Innovation Centre, Beeding Close, Southern Cross
Trading Estate, Bognor Regis, West Sussex, PO22 9TS
Company Registration Number: 03044848 | VAT Number: 918544112
T: 01243 838999 | F: 01243 838998 | sales@jcc.co.uk | www.jcc.co.uk



JCC Lighting

Innovation Centre, Beeding Close, Southern Cross
Trading Estate, Bognor Regis, West Sussex, PO22 9TS
Company Registration Number: 03044848 | VAT Number: 918544112
T: 01243 838999 | F: 01243 838998 | sales@jcc.co.uk | www.jcc.co.uk