

JC234201

**RadiaLED Style Mains IP44 Ø289mm Bulkhead 12W 4000K
1025lm LED Opal**

Features & Benefits

- IP44 protection against dust and moisture
- Ideal for corridor and stairwell applications
- Smooth and even light distribution
- Zero maintenance, no need to relamp
- DALI/1-10V dimmable options

General Information

Product Group	LED - Surface
Product Range	Style
Trade Name	RadiaLED
Light Source	LED
Light Source Features	Neutral White
Lighting Product Type	Wall Light
Lighting Product Type	Ceiling Mount
Lighting Product Type	Surface Light
Product Shape	Round
Mounting	Ceiling
Color Finish	White
Overall Dimensions	289 x 121

JCC Lighting

Innovation Centre, Beeding Close, Southern Cross
Trading Estate, Bognor Regis, West Sussex, PO22 9TS
Company Registration Number: 03044848 | VAT Number: 918544112

T: 01243 838999 | F: 01243 838998 | sales@jcc.co.uk | www.jcc.co.uk

Recommended Product Location	Suitable for indoor use and exterior covered walkways
Method Of Fix	Surface mount
IP Rating	IP44
Environment	Indoor
Suitable For Zones	Zone 2
Origin Of Manufacture	Made in China
Warranty	2 years standard warranty extends to 5 years when registered within the first year of purchase (See Website for terms and conditions)
Driver Manufacturer	LEDTU
LED Manufacturer/Type	BMTC

Electrical

Voltage Rating	220-240
Secondary Running Current	700mA
Primary Running Current	0.13A
Operating Frequency (Hz)	50/60Hz
CC or CV	Constant Current
Luminaire Circuit Wattage	12
Class	Class I, must be earthed
Output Voltage (V)	14~35VDC
Power Factor Correction	>0.9
Input Electrical Connections	Live, Earth, Neutral screw terminal
Dimmable	No

Thermals

Max Luminaire Ambient Temp.	25°C
Max Driver/Ballast Ambient Temp.	45°C
Thermal Cut Out	Yes

Performance Data

Energy Rating	A
Actual Lumen Output	1025
Lumens Per Circuit Watt	85
Color Rendering Index	80-89
CRI: Ra	80
Correlated Color Temperature	4000K
Light Distribution Detail	120-degree
LOR (Light Output Ratio) %	100%
Photometry Available	yes

Construction

JCC Lighting

Innovation Centre, Beeding Close, Southern Cross
Trading Estate, Bognor Regis, West Sussex, PO22 9TS
Company Registration Number: 03044848 | VAT Number: 918544112
T: 01243 838999 | F: 01243 838998 | sales@jcc.co.uk | www.jcc.co.uk

Primary Material	Steel
Diffuser Material	Polycarbonate
Outer Diffuser	Polycarbonate
Heat Sink	Extruded aluminium
Driver Housing	Polycarbonate

Packaging

Luminaire Carton Dimensions	29 x 13 x 29cm
Quantity Per Outer Carton	12
Bar Code EAN Number	5052544080890

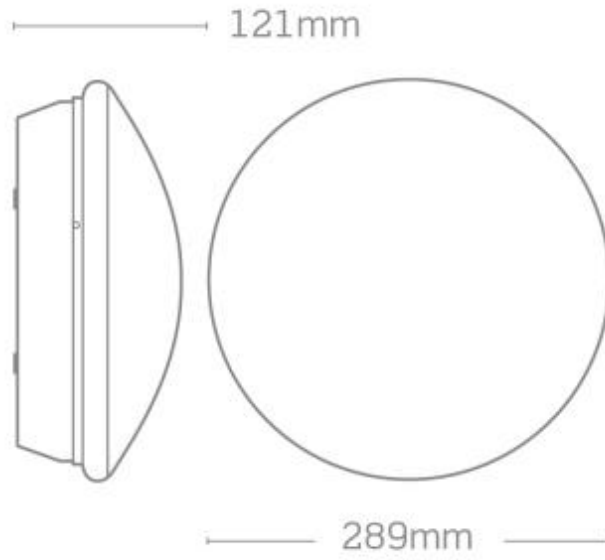
Standards & Approvals

Listings	CE
Listings	RoHS
Listings	Wet Location
Manufactured In Accordance To	BS EN 60598-2-1
CE Marked	Yes
Batch Coded	Yes
WEEE Symbol	Yes
Accredited Members	LIA, ISO9001:2015, ISO14001:2015

JCC Lighting

Innovation Centre, Beeding Close, Southern Cross
Trading Estate, Bognor Regis, West Sussex, PO22 9TS
Company Registration Number: 03044848 | VAT Number: 918544112

T: 01243 838999 | F: 01243 838998 | sales@jcc.co.uk | www.jcc.co.uk



JCC Lighting

Innovation Centre, Beeding Close, Southern Cross
Trading Estate, Bognor Regis, West Sussex, PO22 9TS
Company Registration Number: 03044848 | VAT Number: 918544112

T: 01243 838999 | F: 01243 838998 | sales@jcc.co.uk | www.jcc.co.uk