

JC040034

Toughbay Retrofit 200W 120° 5700K IP65 G2 Emergency



Features & Benefits

- Ultra efficient, 123 Lumens per circuit Watt
- 1-10V dimmable as standard
- Suitable for extreme operating temperatures, -30° to +60°
- Step dimmable available with microwave version and remote control
- High CRI of 80, ensuring a true representation of colour throughout its life
- Available in 60°, 90° and 120° beam angle options
- Emergency versions available

General Information

Product Group	Toughbay™ Retrofit Highbay
Product Range	Toughbay™ Circular Retrofit
Trade Name	Toughbay
Light Source	LED
Light Source Features	Crisp White
Lighting Product Type	Bay Light
Lighting Product Type	Ceiling Mount
Product Shape	Round
Additional Information	JC040049 Surface Mount bracket not suitable for the Emergency version- suspension only
Mounting	Suspended

JCC Lighting

Innovation Centre, Beeding Close, Southern Cross
Trading Estate, Bognor Regis, West Sussex, PO22 9TS
Company Registration Number: 03044848 | VAT Number: 918544112

T: 01243 838999 | F: 01243 838998 | sales@jcc.co.uk | www.jcc.co.uk

Product Weight	5.81kg
Color Finish	Black
Overall Dimensions	320Ø x 242mm
Recommended Product Location	Industrial applications, warehouse, retail and mezzanine
Method Of Fix	Suspension eye only, not suitable for surface mounting bracket
IP Rating	IP65
Environment	Demanding
Suitable For Zones	Zone 1
Luminaire Accessories	Microwave Sensor Remote control LEV71805
Origin Of Manufacture	Made in China
Warranty	2 years standard warranty extends to 5 years when registered within the first year of purchase (2 year on batteries) (See Website for terms and conditions)
Operation Type	Maintained only
Dimming Protocol Compatibility	1-10V
Mounting Height	9m for 150-200 lux: Please note this is to be used as a rough guide and does not replace the need for a lighting design
Driver Manufacturer	Sosen
LED Manufacturer/Type	Jufei 3030

Electrical

Voltage Rating	220-240
Secondary Running Current	0.77-1Amp max
Primary Running Current	2.4Amp max
Operating Frequency (Hz)	50/60Hz
CC or CV	CC
Luminaire Circuit Wattage	200W
Class	Class 1, must be earthed
Output Voltage (V)	180-260VDC
Total Harmonic Distortion (THD)%	<10%
EMC Compliant (EN55015)	yes
Power Factor Correction	0.97 @ 220V~
Input Electrical Connections	Switched live(brown), un/switched live(black)neutral(blue) earth(yellow/green)
Dimmable	Yes

Emergency Data

Load Voltage	90-200VDC
Nominal Battery Current	1.1 Amp
Recharge Time	24 hours
Battery Specification	7.2V 4Ah NiCd 6 Cells
Battery Type	Nickel Cadmium
Battery Life In Emergency Mode	3 hours

JCC Lighting

Innovation Centre, Beeding Close, Southern Cross
Trading Estate, Bognor Regis, West Sussex, PO22 9TS
Company Registration Number: 03044848 | VAT Number: 918544112
T: 01243 838999 | F: 01243 838998 | sales@jcc.co.uk | www.jcc.co.uk

Charge Current	140mA NOM
DDP Protection	Yes
LOR In Emergency Mode	6.34%(779 lumens)
Inverter PFC	0.88

Thermals

Room Ambient Temperature	45°C
Max Luminaire Ambient Temp.	45°C
Max Driver/Ballast Ambient Temp.	from -40°C to 85°C
Thermal Cut Out	Yes(auto restart)

Performance Data

Energy Rating	A+
Actual Lumen Output	24500
Lumens Per Circuit Watt	123 LpcW
Standard Deviation Colour Matching - SDCM	<6
LED Life (Hours) (L70)	36000

Hours life stated is an indication of expected L70 chip and light output calculations when operating in optimum conditions. Product warranty period supports the full product during the term given. The L70 hours expectancy is not correlated with the full product warranty term, nor is it a representation of lumen depreciation during the warranty period.

Color Rendering Index	80-89
CRI: Ra	80
Correlated Color Temperature	5700K
Light Distribution Detail	120-degree
LOR (Light Output Ratio) %	100%
Photometry Available	Yes

Construction

Primary Material	Aluminium
Lens	Polycarbonate
Heat Sink	Aluminium
Driver Housing	Aluminium

Packaging

Bar Code EAN Number	5052544093364
----------------------------	---------------

Standards & Approvals

Listings	Damp Location
Listings	RoHS
Listings	Wet Location

JCC Lighting

Innovation Centre, Beeding Close, Southern Cross
Trading Estate, Bognor Regis, West Sussex, PO22 9TS
Company Registration Number: 03044848 | VAT Number: 918544112

T: 01243 838999 | F: 01243 838998 | sales@jcc.co.uk | www.jcc.co.uk

Manufactured In Accordance To	BS 60598-1-2-22 -2015
CE Marked	Yes
WEEE Symbol	Yes
Certificate Of Conformity	Available on request
Accredited Members	LIA, ISO9001-2015, ISO14001-2015

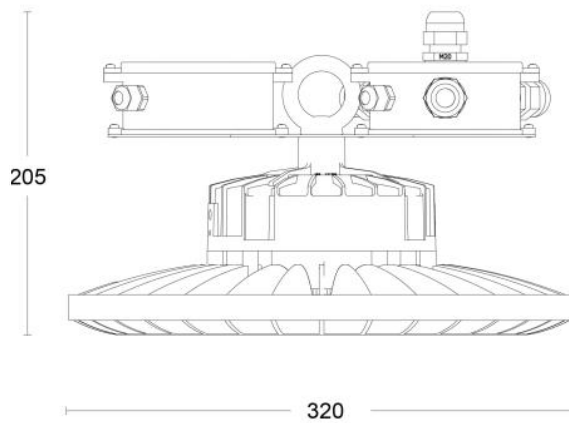
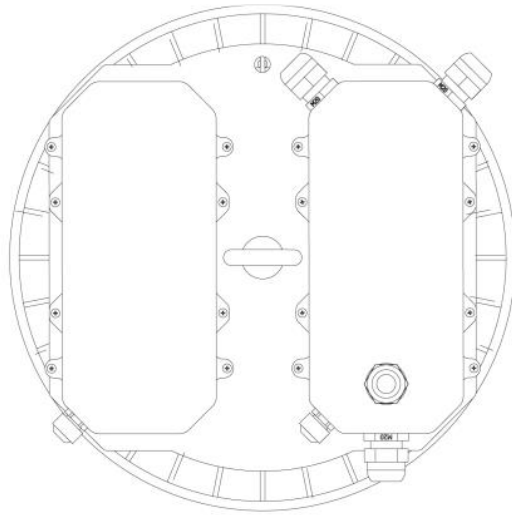
JCC Lighting

Innovation Centre, Beeding Close, Southern Cross

Trading Estate, Bognor Regis, West Sussex, PO22 9TS

Company Registration Number: 03044848 | VAT Number: 918544112

T: 01243 838999 | F: 01243 838998 | sales@jcc.co.uk | www.jcc.co.uk



JCC Lighting

Innovation Centre, Beeding Close, Southern Cross
Trading Estate, Bognor Regis, West Sussex, PO22 9TS
Company Registration Number: 03044848 | VAT Number: 918544112
T: 01243 838999 | F: 01243 838998 | sales@jcc.co.uk | www.jcc.co.uk