

BC020001 24V 75W Triac dimmable IP20 driver



General Information

Product Group	LED Strip - accessory
Trade Name	Led Tape
Lighting Product Type	Accessory
Lighting Product Type	Tapelight
Product Shape	Rectangular
Additional Information	For use with:LED Strip 24V 4.8W(max run 15.6m) LED Strip 24V 9.6W(max run 7.8m)LED Strip 24V 14.4W(max run 5.2m)
Product Weight	0.58kg
Color Finish	White
Overall Dimensions	220x 58 x 40mm
Recommended Product Location	For indoor use only
IP Rating	IP20
Environment	Indoor
Suitable For Zones	Outside zone 2
Origin Of Manufacture	Made in China
Warranty	2 years standard warranty extends to 3 years when registered within the first year of purchase (See Website for terms and conditions)
Dimming Protocol Compatibility	Triac

JCC Lighting

Innovation Centre, Beeding Close, Southern Cross
 Trading Estate, Bognor Regis, West Sussex, PO22 9TS
 Company Registration Number: 03044848 | VAT Number: 918544112
T: 01243 838999 | F: 01243 838998 | sales@jcc.co.uk | www.jcc.co.uk

Driver Manufacturer	Merrytek
----------------------------	----------

Electrical

Voltage Rating	220-240
Secondary Running Current	3.125A
Operating Frequency (Hz)	50/60Hz
CC or CV	Constant Voltage
Class	Class 2
Output Voltage (V)	24VDC
Class - Safety Extra Low Voltage	SELV
EMC Compliant (EN55015)	Yes
Power Factor Correction	0.9
Input Electrical Connections	Loop in/out, Live and Neutral
Dimmable	Yes, leading and trailing 10% to 100%
Short Circuit Current / Short Circuit Cut Off	Yes, auto recovery

Dimming Compatibility & Loading

Max LED Load	75W
Min LED Load	30W(1.25A)

Thermals

Room Ambient Temperature Not To Exceed	50°C
Thermal Cut Out	Yes, auto recovery Tc 85°C
Insulation Coverage	Do not cover
Operating Temperature Range	-25° to +50°C

Performance Data

Power Consumption	>1.0W with no load
Overload Protection	Yes, auto recovery

Construction

Primary Material	Polycarbonate
-------------------------	---------------

Packaging

Luminaire Carton Dimensions	22.6 x 6.3 x 4.7cm
Quantity Per Outer Carton	20
Bar Code EAN Number	5052544092824
Packaged Weight	0.62kg

Standards & Approvals

Listings	CE
-----------------	----

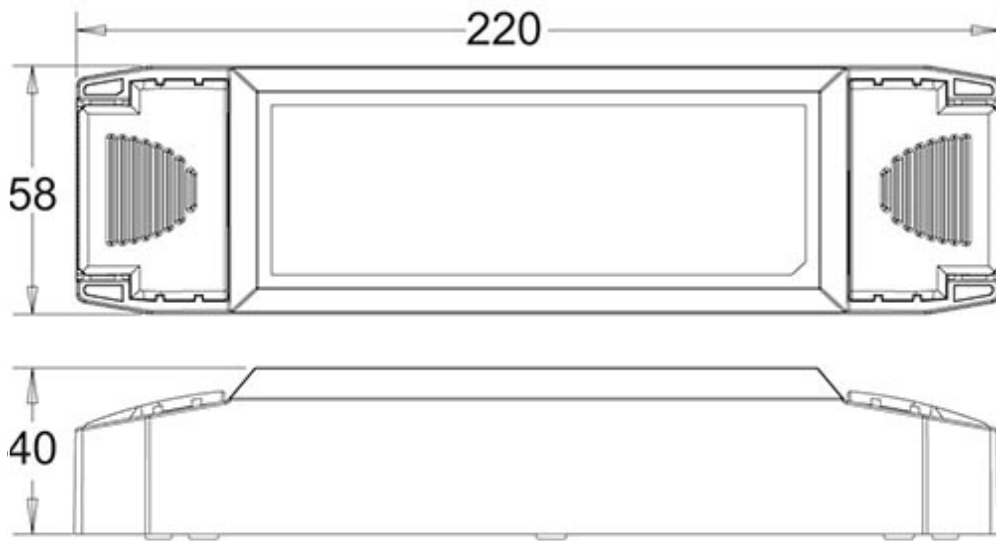
JCC Lighting

Innovation Centre, Beeding Close, Southern Cross
Trading Estate, Bognor Regis, West Sussex, PO22 9TS
Company Registration Number: 03044848 | VAT Number: 918544112
T: 01243 838999 | F: 01243 838998 | sales@jcc.co.uk | www.jcc.co.uk

Listings	RoHS
Manufactured In Accordance To	BS EN 61347
CE Marked	Yes
Batch Coded	Yes
WEEE Symbol	Yes
Certificate Of Conformity	Available on request
Accredited Members	LIA, ISO9001-2015, ISO14001-2015

JCC Lighting

Innovation Centre, Beeding Close, Southern Cross
Trading Estate, Bognor Regis, West Sussex, PO22 9TS
Company Registration Number: 03044848 | VAT Number: 918544112
T: 01243 838999 | F: 01243 838998 | sales@jcc.co.uk | www.jcc.co.uk



JCC Lighting

Innovation Centre, Beeding Close, Southern Cross
Trading Estate, Bognor Regis, West Sussex, PO22 9TS
Company Registration Number: 03044848 | VAT Number: 918544112
T: 01243 838999 | F: 01243 838998 | sales@jcc.co.uk | www.jcc.co.uk