

JC95202

Nebula LED Darklight IP20 8W Non-Dimmable 40° 4000k



Features & Benefits

- Recessed LED module for low glare applications
- 35° tiltable
- Slim profile bezel for discrete installations
- Triac dimmable options available

General Information

Product Group	LED Recessed
Product Range	Nebula
Trade Name	Nebula
Light Source	LED
Light Source Features	Neutral White
Lighting Product Type	Downlight
Product Shape	Round
Mounting	Recessed

JCC Lighting

Innovation Centre, Beeding Close, Southern Cross
 Trading Estate, Bognor Regis, West Sussex, PO22 9TS
 Company Registration Number: 03044848 | VAT Number: 918544112
 T: 01243 838999 | F: 01243 838998 | sales@jcc.co.uk | www.jcc.co.uk

Product Weight	0.6kg
Color Finish	White
Recommended Product Location	Suitable for indoor use
Method Of Fix	Spring Clips(provided)
Product Aperture Size	70mm
IP Rating	IP20
Environment	Indoor
Suitable For Zones	Zone 1
Guarantee	5 year warranty
Driver Manufacturer	EAGLERISE
LED Manufacturer/Type	CXA1507/CREE

Electrical

Voltage Rating	220-240
Primary Running Current	0.03A
Operating Frequency (Hz)	50/60Hz
Luminaire Circuit Wattage	8W
Sec - Voltage (V)	177V~
Class	Class II
EMC Compliant (EN55015)	Yes
Power Factor Correction	0.7
Input Electrical Connections	Live, Earth, Neutral (Press fit large loop in/Loop out terminal)
Dimmable	Yes

Thermals

Max Luminaire Ambient Temp.	40°C
Thermal Cut Out	150°C
Insulation Coverage	Loosely cover with mineral wool insulation only

JCC Lighting

Innovation Centre, Beeding Close, Southern Cross
Trading Estate, Bognor Regis, West Sussex, PO22 9TS
Company Registration Number: 03044848 | VAT Number: 918544112
T: 01243 838999 | F: 01243 838998 | sales@jcc.co.uk | www.jcc.co.uk

Minimum Free Air Space	At least 50mm above and to the sides
-------------------------------	--------------------------------------

Performance Data

Energy Rating	A+
Actual Lumen Output	575
Lumens Per Circuit Watt	81L/pw
LED Life (Hours)	50,000
Color Rendering Index	80-89
CRI: Ra	80
Correlated Color Temperature	4000K
Light Distribution Detail	40-degree
LOR (Light Output Ratio) %	100%
Photometry Available	Yes, available on request

Construction

Primary Material	Steel
Lens	38° Power Lens
Heat Sink	Aluminium
Driver Housing	Polycarbonate
Rim Or Attachment	Die-cast Aluminium

Packaging

Luminaire Carton Dimensions	140x100x110mm
Quantity Per Outer Carton	30
Bar Code EAN Number	5052544049965
Packaged Weight	0.6Kg

Standards & Approvals

Listings	CE
-----------------	----

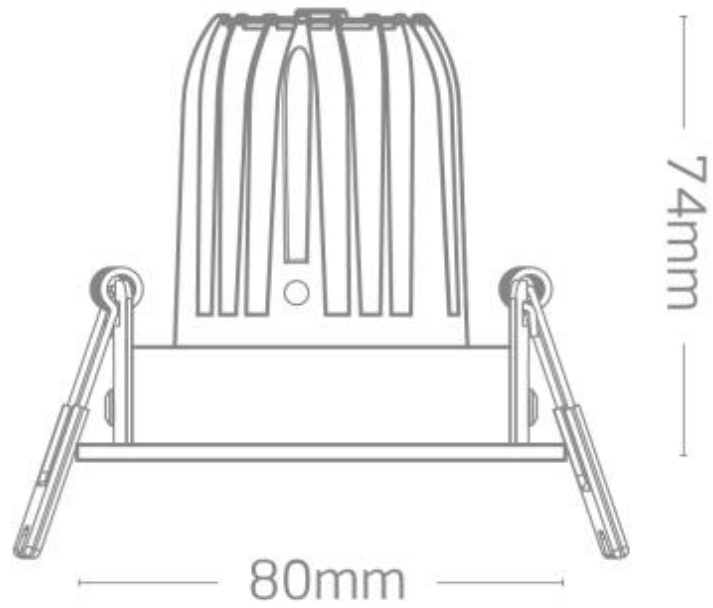
JCC Lighting

Innovation Centre, Beeding Close, Southern Cross
Trading Estate, Bognor Regis, West Sussex, PO22 9TS
Company Registration Number: 03044848 | VAT Number: 918544112
T: 01243 838999 | F: 01243 838998 | sales@jcc.co.uk | www.jcc.co.uk

Manufactured In Accordance To	BS EN 00598-2-1
CE Marked	Meets all European Standards for CE Mark
Batch Coded	Yes
Certificate Of Conformity	Available on Request
Accredited Members	LIA, ISO9001:2015, ISO14001:2015

JCC Lighting

Innovation Centre, Beeding Close, Southern Cross
Trading Estate, Bognor Regis, West Sussex, PO22 9TS
Company Registration Number: 03044848 | VAT Number: 918544112
T: 01243 838999 | F: 01243 838998 | sales@jcc.co.uk | www.jcc.co.uk



JCC Lighting

Innovation Centre, Beeding Close, Southern Cross
Trading Estate, Bognor Regis, West Sussex, PO22 9TS
Company Registration Number: 03044848 | VAT Number: 918544112
T: 01243 838999 | F: 01243 838998 | sales@jcc.co.uk | www.jcc.co.uk