

JC71852BLK

ToughBay Circular 60° Reflector Black for 180W-230W**Features & Benefits**

- Surface mounting bracket available for all fittings
- Quick 4-screw surface mount bracket attachment
- Horizontal tilt suitable for external floodlighting
- White finish available for 100W fitting only

General Information

| | |
|------------------------------|------------------|
| Product Group | LED- Accessory |
| Product Range | Commercial |
| Trade Name | Toughbay |
| Lighting Product Type | Accessory |
| Product Weight | 1.4kg |
| Color Finish | Black |
| Guarantee | 2 year guarantee |

JCC Lighting

Innovation Centre, Beeding Close, Southern Cross
Trading Estate, Bognor Regis, West Sussex, PO22 9TS
Company Registration Number: 03044848 | VAT Number: 918544112

T: 01243 838999 | F: 01243 838998 | sales@jcc.co.uk | www.jcc.co.uk

Construction

Primary Material Spun Aluminium

Packaging

Bar Code EAN Number 5052544046292

Standards & Approvals

Listings CE

Manufactured In Accordance To BS EN 60598-2-1

CE Marked yes

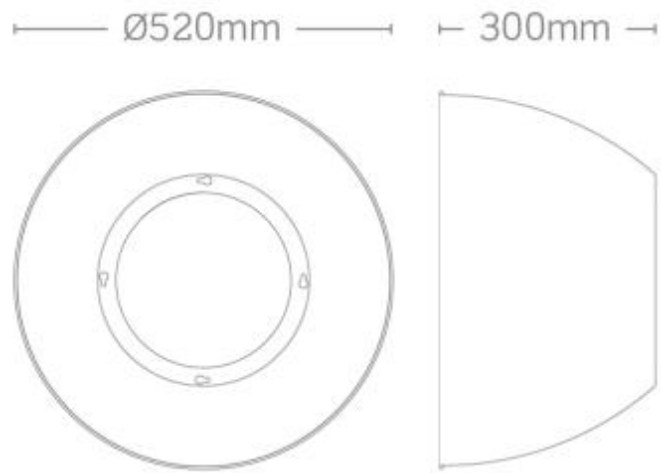
Batch Coded yes

Certificate Of Conformity yes

Accredited Members LIA, ISO9001:2015, ISO14001:2015

JCC Lighting

Innovation Centre, Beeding Close, Southern Cross
Trading Estate, Bognor Regis, West Sussex, PO22 9TS
Company Registration Number: 03044848 | VAT Number: 918544112
T: 01243 838999 | F: 01243 838998 | sales@jcc.co.uk | www.jcc.co.uk



JCC Lighting

Innovation Centre, Beeding Close, Southern Cross
Trading Estate, Bognor Regis, West Sussex, PO22 9TS
Company Registration Number: 03044848 | VAT Number: 918544112
T: 01243 838999 | F: 01243 838998 | sales@jcc.co.uk | www.jcc.co.uk