



a **LEVITON**
company

JC39429BLK

NiteLED Dome Mains IP44 Plain Wall Light LED 8.5W 4000K 200lm Black



Features & Benefits

- Direct 42W halogen GLS replacement
- 8.5W mains driven LED, no driver required
- Zero maintenance, no need to relamp
- Plain and louvred variants available
- Black and stainless steel versions available

General Information

Product Group	LED - Bollard
Product Range	NiteLED Dome
Trade Name	NiteLED
Light Source	LED
Light Source Features	Neutral White
Lighting Product Type	Wall Light
Product Shape	Cylinder

JCC Lighting

Innovation Centre, Beeding Close, Southern Cross
Trading Estate, Bognor Regis, West Sussex, PO22 9TS
Company Registration Number: 03044848 | VAT Number: 918544112

T: 01243 838999 | F: 01243 838998 | sales@jcc.co.uk | www.jcc.co.uk

Mounting	Wall
Product Weight	1.58Kg
Color Finish	Black
Recommended Product Location	External Use, Walkways, Drive Ways etc.
Method Of Fix	Fix using screws and rawl plugs
IP Rating	IP44
Environment	Outdoor
Luminaire Accessories	None
Guarantee	2 year guarantee
Driver Manufacturer	Mains chip
LED Manufacturer/Type	2835/SEOUL

Electrical

Voltage Rating	220-240
Primary Running Current	0.04 Amp
Operating Frequency (Hz)	50/60Hz
Luminaire Circuit Wattage	8.5W
Sec - Voltage (V)	177V~
Class	Class I, Must be earthed
Power Factor Correction	0.97
Input Electrical Connections	Live, Earth, Neutral 3 core 0.75mm ² trailing lead - 1 metre long
Dimmable	No

Thermals

Max Luminaire Ambient Temp.	26°C
------------------------------------	------

Performance Data

Energy Rating	B
Actual Lumen Output	200

JCC Lighting

Innovation Centre, Beeding Close, Southern Cross
Trading Estate, Bognor Regis, West Sussex, PO22 9TS
Company Registration Number: 03044848 | VAT Number: 918544112
T: 01243 838999 | F: 01243 838998 | sales@jcc.co.uk | www.jcc.co.uk

Lumens Per Circuit Watt	24 lm/W
LED Life (Hours)	50,000
Color Rendering Index	80-89
CRI: Ra	80
Correlated Color Temperature	4000K
LOR (Light Output Ratio) %	TBC
Photometry Available	Yes, on request

Construction

Primary Material	Aluminum
Diffuser	Opal polycarbonate
Lens	Opal polycarbonate
Heat Sink	Extruded aluminium

Packaging

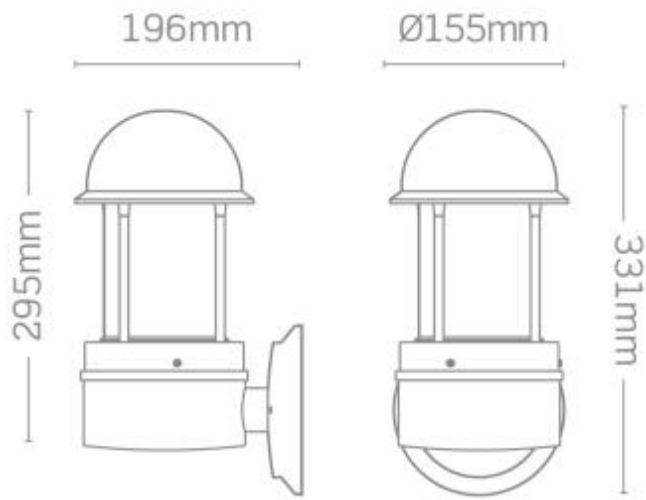
Luminaire Carton Dimensions	220mm x 170mm x 350mm
Quantity Per Outer Carton	4
Bar Code EAN Number	5052544039942
Packaged Weight	1.77Kg

Standards & Approvals

Listings	CE
Manufactured In Accordance To	BS EN 60598-2-1
CE Marked	Yes
Batch Coded	Yes
Certificate Of Conformity	Yes, available on request
Accredited Members	LIA, ISO9001:2015, ISO14001:2015

JCC Lighting

Innovation Centre, Beeding Close, Southern Cross
Trading Estate, Bognor Regis, West Sussex, PO22 9TS
Company Registration Number: 03044848 | VAT Number: 918544112
T: 01243 838999 | F: 01243 838998 | sales@jcc.co.uk | www.jcc.co.uk



JCC Lighting

Innovation Centre, Beeding Close, Southern Cross
Trading Estate, Bognor Regis, West Sussex, PO22 9TS
Company Registration Number: 03044848 | VAT Number: 918544112
T: 01243 838999 | F: 01243 838998 | sales@jcc.co.uk | www.jcc.co.uk