

JC39417

**NiteLED Ground Spike IP54 10W 4000K 600lm 2D0320-4175935**



## General Information

**Product Group** LED - Outdoor

**Product Range** NiteLED

**Trade Name** NiteLED

**Light Source** LED

**Light Source Features** Neutral White

**Lighting Product Type** In-Ground

**Product Shape** Cylinder

**Mounting** Spike

**Product Weight** 1.2Kg

**Color Finish** Anthracite

**Recommended Product Location** Exterior in earth

### JCC Lighting

Innovation Centre, Beeding Close, Southern Cross

Trading Estate, Bognor Regis, West Sussex, PO22 9TS

Company Registration Number: 03044848 | VAT Number: 918544112

T: 01243 838999 | F: 01243 838998 | sales@jcc.co.uk | www.jcc.co.uk

---

<b>Max Angle Of Tilt &amp; Rotation</b>	Approx 260°
<b>IP Rating</b>	IP54
<b>Environment</b>	Outdoor
<b>Guarantee</b>	2 year guarantee
<b>Driver Manufacturer</b>	EDE
<b>LED Manufacturer/Type</b>	CREE

---

## Electrical

---

<b>Voltage Rating</b>	220-240
<b>Primary Running Current</b>	320mA
<b>Operating Frequency (Hz)</b>	50/60Hz
<b>CC or CV</b>	Constant current
<b>Luminaire Circuit Wattage</b>	10W
<b>Sec - Voltage (V)</b>	40V DC Max
<b>Class</b>	Class I, Must be earthed
<b>EMC Compliant (EN55015)</b>	Yes
<b>Power Factor Correction</b>	0.9
<b>Input Electrical Connections</b>	Pre-wired cable
<b>Dimmable</b>	No

---

## Thermals

---

<b>Max Luminaire Ambient Temp.</b>	26°C
<b>Max Driver/Ballast Ambient Temp.</b>	85°C
<b>Thermal Cut Out</b>	120°C

---

## Performance Data

---

<b>Energy Rating</b>	A
<b>Actual Lumen Output</b>	600
<b>Lumens Per Circuit Watt</b>	60 lm/W

---

### JCC Lighting

Innovation Centre, Beeding Close, Southern Cross  
Trading Estate, Bognor Regis, West Sussex, PO22 9TS  
Company Registration Number: 03044848 | VAT Number: 918544112  
T: 01243 838999 | F: 01243 838998 | sales@jcc.co.uk | www.jcc.co.uk

---

<b>LED Life (Hours)</b>	40,000
<b>Color Rendering Index</b>	80-89
<b>CRI: Ra</b>	80
<b>Correlated Color Temperature</b>	4000K
<b>LOR (Light Output Ratio) %</b>	80%
<b>Photometry Available</b>	Not available

---

## Construction

---

<b>Primary Material</b>	Aluminum
<b>Diffuser</b>	Tempered glass
<b>Heat Sink</b>	Extruded aluminium
<b>Rim Or Attachment</b>	Aluminium

---

## Packaging

---

<b>Luminaire Carton Dimensions</b>	280mm (H) x 160mm (W) x 115mm (D)
<b>Quantity Per Outer Carton</b>	12
<b>Bar Code EAN Number</b>	5052544035197
<b>Packaged Weight</b>	1.4Kg

---

## Standards & Approvals

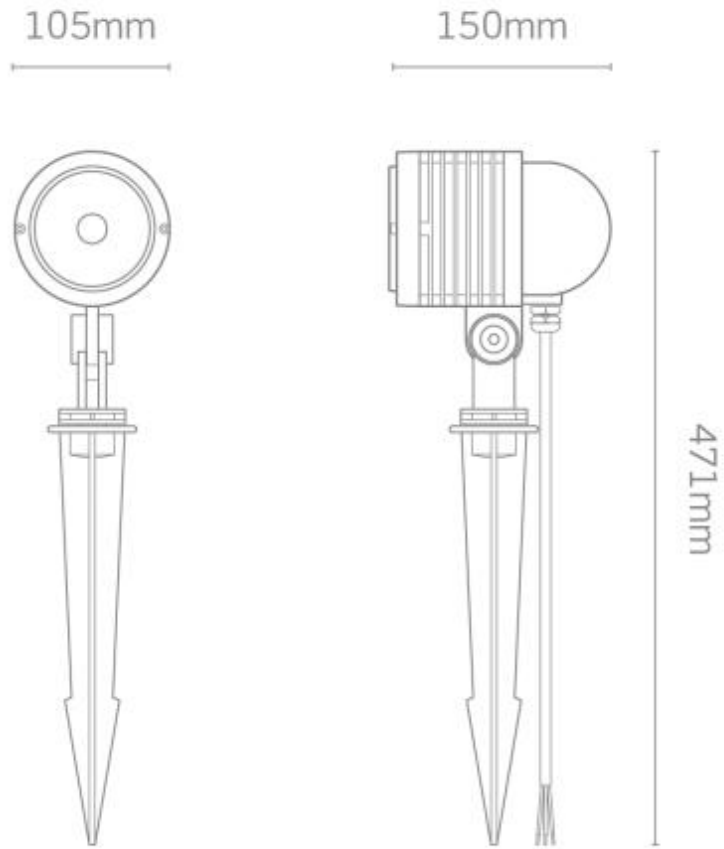
---

<b>Listings</b>	CE
<b>Manufactured In Accordance To</b>	BS EN 60598-2-1
<b>CE Marked</b>	Yes
<b>Batch Coded</b>	Yes
<b>Certificate Of Conformity</b>	Yes, available on request
<b>Accredited Members</b>	LIA, ISO9001:2015, ISO14001:2015

---

### JCC Lighting

Innovation Centre, Beeding Close, Southern Cross  
Trading Estate, Bognor Regis, West Sussex, PO22 9TS  
Company Registration Number: 03044848 | VAT Number: 918544112  
T: 01243 838999 | F: 01243 838998 | sales@jcc.co.uk | www.jcc.co.uk



---

**JCC Lighting**

Innovation Centre, Beeding Close, Southern Cross  
Trading Estate, Bognor Regis, West Sussex, PO22 9TS  
Company Registration Number: 03044848 | VAT Number: 918544112  
T: 01243 838999 | F: 01243 838998 | [sales@jcc.co.uk](mailto:sales@jcc.co.uk) | [www.jcc.co.uk](http://www.jcc.co.uk)