

JC32012WH

Montella Mains IP44 Wall Lantern Uplighter c/w PIR Halogen ES 42W E27 White



Features & Benefits

- Manual override facility on PIR model
- Discreet colour coded PIR
- Comes complete with plug and play connections for easy installation
- Halogen (GLS)

General Information

Product Group	Halogen
Product Range	Montella Lanterns
Trade Name	Montella
Lighting Product Type	Wall Light
Mounting	Wall
Color Finish	White
Overall Dimensions	375 x 205 x 210mm
Recommended Product Location	Wall mount only

JCC Lighting

Innovation Centre, Beeding Close, Southern Cross
Trading Estate, Bognor Regis, West Sussex, PO22 9TS
Company Registration Number: 03044848 | VAT Number: 918544112

T: 01243 838999 | F: 01243 838998 | sales@jcc.co.uk | www.jcc.co.uk

Method Of Fix	Screw Fix Mounting Plate to Wall Using Suitable Fixings
Mounting Bracket Dimensions (mm)	114 x 150mm
IP Rating	IP44
Environment	Outdoor
Suitable For Zones	zone 2 and outside
Lamp Supplied	no (42W E27 GLS)
Guarantee	2 year guarantee

Electrical

Voltage Rating	220-240
Primary Running Current	0.21A
Operating Frequency (Hz)	50/60Hz
Luminaire Circuit Wattage	42W Max
Class	Class II
Input Electrical Connections	live, earth, neutral
Dimmable	no

Dimming Type

Control	PIR
----------------	-----

Thermals

Max Luminaire Ambient Temp.	26°C
------------------------------------	------

Performance Data

Energy Rating	This luminaire is compatible with bulbs of the energy class A+ to E
Detection Distance	8M max
Detection Range	150°
Occupancy Sensor Mode of Operation	Vacancy (Default) or Auto On

Construction

JCC Lighting

Innovation Centre, Beeding Close, Southern Cross
Trading Estate, Bognor Regis, West Sussex, PO22 9TS
Company Registration Number: 03044848 | VAT Number: 918544112
T: 01243 838999 | F: 01243 838998 | sales@jcc.co.uk | www.jcc.co.uk

Primary Material	polycarbonate
-------------------------	---------------

Diffuser	clear polycarbonate
-----------------	---------------------

Packaging

Luminaire Carton Dimensions	185 x 165 x 280mm
------------------------------------	-------------------

Quantity Per Outer Carton	10
----------------------------------	----

Bar Code EAN Number	5052544002830
----------------------------	---------------

Standards & Approvals

Listings	CE
-----------------	----

Manufactured In Accordance To	BS EN 60598-2-1
--------------------------------------	-----------------

CE Marked	yes
------------------	-----

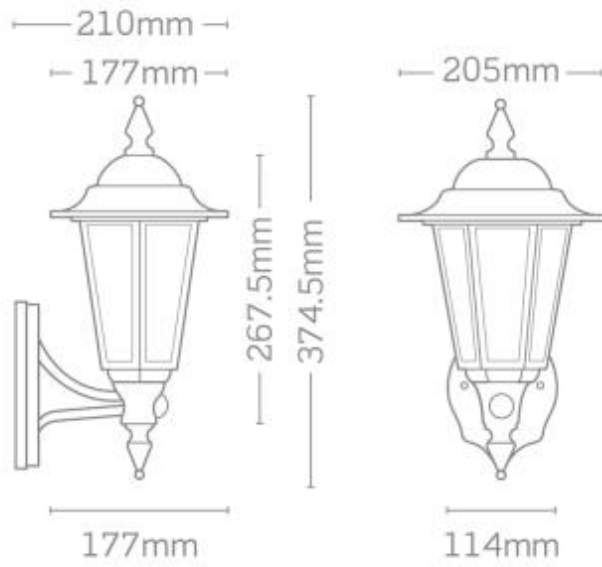
Batch Coded	yes
--------------------	-----

Certificate Of Conformity	yes, available on request
----------------------------------	---------------------------

Accredited Members	LIA, ISO9001:2015, ISO14001:2015
---------------------------	----------------------------------

JCC Lighting

Innovation Centre, Beeding Close, Southern Cross
Trading Estate, Bognor Regis, West Sussex, PO22 9TS
Company Registration Number: 03044848 | VAT Number: 918544112
T: 01243 838999 | F: 01243 838998 | sales@jcc.co.uk | www.jcc.co.uk



JCC Lighting

Innovation Centre, Beeding Close, Southern Cross
Trading Estate, Bognor Regis, West Sussex, PO22 9TS
Company Registration Number: 03044848 | VAT Number: 918544112
T: 01243 838999 | F: 01243 838998 | sales@jcc.co.uk | www.jcc.co.uk