



a **LEVITON**
company

JC234201EM/MW

**RadiaLED Style Mains IP44 Ø289mm Bulkhead 12W 4000K
1025lm LED Opal EM MW**



Features & Benefits

- IP44 protection against dust and moisture
- Ideal for corridor and stairwell applications
- Smooth and even light distribution
- Zero maintenance, no need to relamp

General Information

Product Group	LED Surface
Product Range	Style
Trade Name	RadiaLED
Light Source	LED
Light Source Features	Neutral White
Lighting Product Type	Emergency Lighting
Lighting Product Type	Ceiling Mount
Lighting Product Type	Surface Light

JCC Lighting

Innovation Centre, Beeding Close, Southern Cross
Trading Estate, Bognor Regis, West Sussex, PO22 9TS
Company Registration Number: 03044848 | VAT Number: 918544112

T: 01243 838999 | F: 01243 838998 | sales@jcc.co.uk | www.jcc.co.uk

Lighting Product Type	Wall Light
Product Shape	Round
Mounting	Ceiling
Product Weight	1.5
Color Finish	White
Overall Dimensions	289 x 121
Recommended Product Location	Suitable for indoor use
Lamp Aperture Ø (mm)	289
IP Rating	IP44
Environment	Indoor
Origin Of Manufacture	China
Guarantee	5 year warranty(2 year on batteries)
Driver Manufacturer	LEDTU
LED Manufacturer/Type	BMTC

Electrical

A Cable	No
Voltage Rating	220-240V~
Secondary Running Current	700mA
Primary Running Current	0.13A
Operating Frequency (Hz)	50/60Hz
CC or CV	CC
Luminaire Circuit Wattage	12
Sec - Voltage (V)	14~35VDC
Class	Class I
Power Factor Correction	>0.9
Input Electrical Connections	Live, Earth, Neutral screw terminal
Dimmable	No

JCC Lighting

Innovation Centre, Beeding Close, Southern Cross
Trading Estate, Bognor Regis, West Sussex, PO22 9TS
Company Registration Number: 03044848 | VAT Number: 918544112
T: 01243 838999 | F: 01243 838998 | sales@jcc.co.uk | www.jcc.co.uk

Dimming Type

Control Microwave

Emergency Data

Load Voltage 230-240V~

Nominal Battery Current 1.1A

Recharge Time 24 Hours

Battery Specification 3 cell C Type NI-MH 4000mAh (3.6V total)Parallel

Battery Life In Emergency Mode 3 Hours

Charge Current 200mA NOM

DDP Protection Yes

LOR In Emergency Mode 10%

Inverter PFC 0.88

Thermals

Max Luminaire Ambient Temp. 26

Thermal Cut Out 105

Performance Data

Energy Rating A

Actual Lumen Output 1025

Lumens Per Circuit Watt 85

Color Rendering Index 80-89

CRI: Ra 80

Correlated Color Temperature 4000

Occupancy Sensor Mode of Operation Vacancy (Default) or Auto On

Construction

Primary Material Steel

JCC Lighting

Innovation Centre, Beeding Close, Southern Cross
Trading Estate, Bognor Regis, West Sussex, PO22 9TS
Company Registration Number: 03044848 | VAT Number: 918544112

T: 01243 838999 | F: 01243 838998 | sales@jcc.co.uk | www.jcc.co.uk

Diffuser Material	Polycarbonate
--------------------------	---------------

Packaging

Luminaire Carton Dimensions	29 x 13 x 29cm
------------------------------------	----------------

Quantity Per Outer Carton	12
----------------------------------	----

Bar Code EAN Number	5052544080913
----------------------------	---------------

Standards & Approvals

Listings	CE
-----------------	----

Listings	RoHS
-----------------	------

Listings	Wet Location
-----------------	--------------

Manufactured In Accordance To	BS EN 60598-2-1
--------------------------------------	-----------------

CE Marked	Yes
------------------	-----

Batch Coded	Yes
--------------------	-----

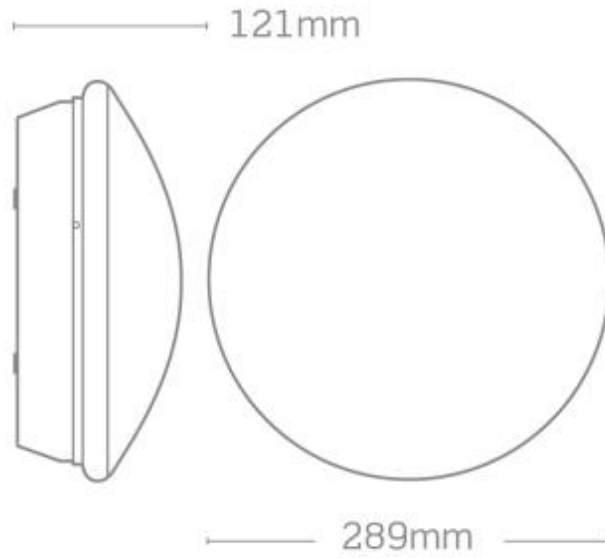
WEEE Symbol	Yes
--------------------	-----

Accredited Members	LIA, ISO9001:2015, ISO14001:2015
---------------------------	----------------------------------

JCC Lighting

Innovation Centre, Beeding Close, Southern Cross
Trading Estate, Bognor Regis, West Sussex, PO22 9TS
Company Registration Number: 03044848 | VAT Number: 918544112

T: 01243 838999 | F: 01243 838998 | sales@jcc.co.uk | www.jcc.co.uk



JCC Lighting

Innovation Centre, Beeding Close, Southern Cross
Trading Estate, Bognor Regis, West Sussex, PO22 9TS
Company Registration Number: 03044848 | VAT Number: 918544112
T: 01243 838999 | F: 01243 838998 | sales@jcc.co.uk | www.jcc.co.uk