



a **LEVITON**
company

JC2107WH

Showerlight Mains IP65 (Zone 1) Recessed 50W GU10 White



General Information

Product Group	Recessed
Product Range	Residential
Lighting Product Type	Downlight
Product Shape	Round
Mounting	Recessed
Product Weight	0.1kg
Color Finish	White
Recommended Product Location	Ceiling application, indoor use only
Minimum Void Requirement	350mm
Method Of Fix	Spring clips- push fit (standard)
Product Aperture Size	74mm

JCC Lighting

Innovation Centre, Beeding Close, Southern Cross
Trading Estate, Bognor Regis, West Sussex, PO22 9TS
Company Registration Number: 03044848 | VAT Number: 918544112

T: 01243 838999 | F: 01243 838998 | sales@jcc.co.uk | www.jcc.co.uk

IP Rating	IP65
Environment	Indoor
Recommended Fire Hood	JC93001
Lamp Supplied	No (50W GU10)
Guarantee	2 year guarantee

Electrical

Voltage Rating	220-240
Primary Running Current	0.2A
Operating Frequency (Hz)	50/60Hz
CC or CV	CC
Luminaire Circuit Wattage	50W
Class	Class I, earth required
EMC Compliant (EN55015)	yes
Input Electrical Connections	2 way strained relief & anchored terminal block
Dimmable	No

Performance Data

Energy Rating	This luminaire is compatible with bulbs of the energy class A+ to E
----------------------	---

Construction

Primary Material	Steel
-------------------------	-------

Packaging

Bar Code EAN Number	5052544017056
----------------------------	---------------

Standards & Approvals

Listings	CE
Manufactured In Accordance To	BS EN 60598-2-1
CE Marked	yes

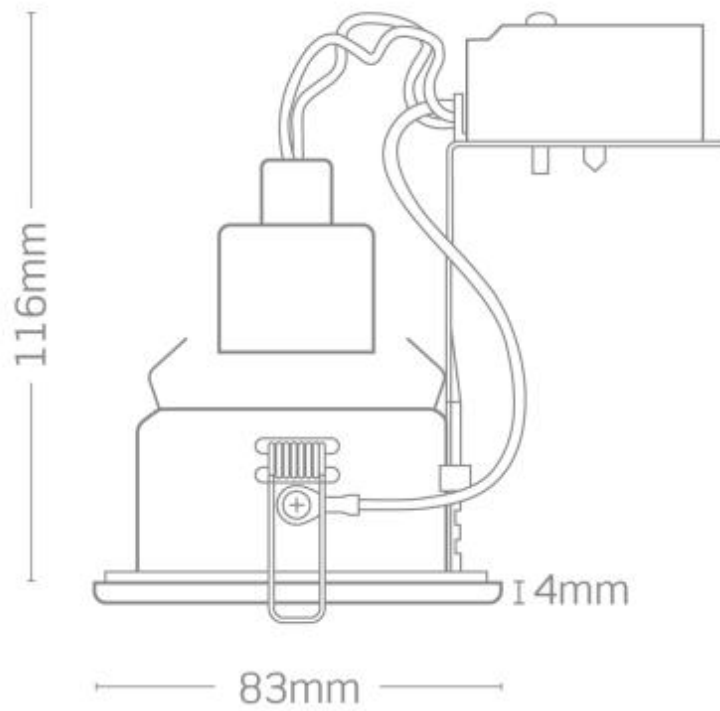
JCC Lighting

Innovation Centre, Beeding Close, Southern Cross
Trading Estate, Bognor Regis, West Sussex, PO22 9TS
Company Registration Number: 03044848 | VAT Number: 918544112
T: 01243 838999 | F: 01243 838998 | sales@jcc.co.uk | www.jcc.co.uk

Batch Coded	yes
Certificate Of Conformity	yes
Accredited Members	LIA, ISO9001:2015, ISO14001:2015

JCC Lighting

Innovation Centre, Beeding Close, Southern Cross
Trading Estate, Bognor Regis, West Sussex, PO22 9TS
Company Registration Number: 03044848 | VAT Number: 918544112
T: 01243 838999 | F: 01243 838998 | sales@jcc.co.uk | www.jcc.co.uk



JCC Lighting

Innovation Centre, Beeding Close, Southern Cross
Trading Estate, Bognor Regis, West Sussex, PO22 9TS
Company Registration Number: 03044848 | VAT Number: 918544112
T: 01243 838999 | F: 01243 838998 | sales@jcc.co.uk | www.jcc.co.uk