

JC2033WH

Twist & Lock Mains IP20 Cast Alu Recessed Downlight HiSpot ES50 50W GU10 White

General Information

Product Range	Twist & Lock Mains Downlight
Lighting Product Type	Downlight
Product Shape	Round
Mounting	Recessed
Product Weight	0.1Kg
Color Finish	White
Overall Dimensions (mm) Rim	Ø77.5mm
Recommended Product Location	Ceiling Application Indoor use only, Excluding Cooking Areas and Bathrooms.
Minimum Void Requirement	120mm
Method Of Fix	Retaining Spring Clip
Product Aperture Size	71mm

JCC Lighting

Innovation Centre, Beeding Close, Southern Cross
Trading Estate, Bognor Regis, West Sussex, PO22 9TS
Company Registration Number: 03044848 | VAT Number: 918544112

T: 01243 838999 | F: 01243 838998 | sales@jcc.co.uk | www.jcc.co.uk

IP Rating	IP20
Environment	Indoor
Lamp Supplied	Yes
Distance From Lighted Object	0.5m
Origin Of Manufacture	China
Guarantee	2 year guarantee

Electrical

Voltage Rating	220-240
Primary Running Current	0.20 Amps
Operating Frequency (Hz)	50/60Hz
Luminaire Circuit Wattage	50W
Class	Class II, double insulated, earth not required
Input Electrical Connections	2 way strained relief / anchored connector block
Lampholder	GU10 250V 100W K512GU KangRong
Cable Rating (mm SQ /C.S.A.) & Type	1mm ² C.S.A stranded heat resistant

Thermals

Room Ambient Temperature Not To Exceed	26°C
---	------

Performance Data

Energy Rating	This luminaire is compatible with bulbs of the energy class A+ to E
Photometry Available	No

Construction

Primary Material	Aluminum
-------------------------	----------

Packaging

Packaged Weight	90mm (H) x 90mm (W) x 90mm (D)
------------------------	--------------------------------

JCC Lighting

Innovation Centre, Beeding Close, Southern Cross
Trading Estate, Bognor Regis, West Sussex, PO22 9TS
Company Registration Number: 03044848 | VAT Number: 918544112

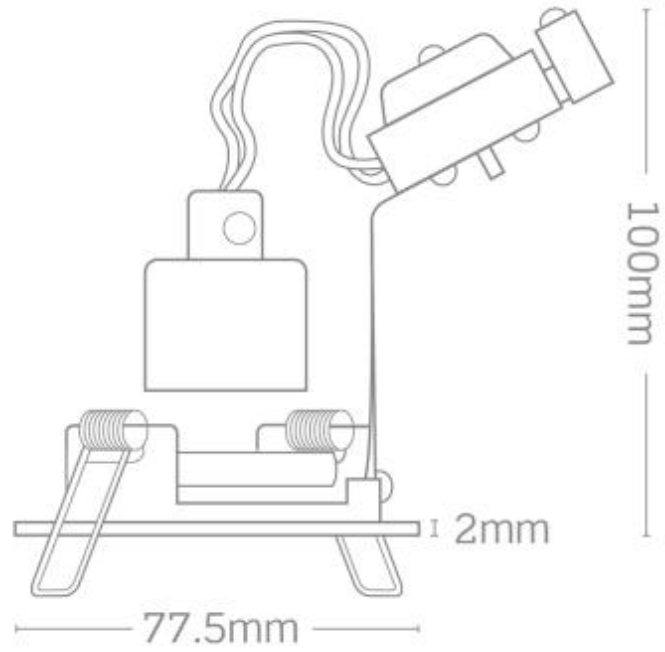
T: 01243 838999 | F: 01243 838998 | sales@jcc.co.uk | www.jcc.co.uk

Standards & Approvals

Listings	CE
Manufactured In Accordance To	BS EN 60598-2-2
CE Marked	Yes
Batch Coded	Yes
Certificate Of Conformity	Yes
Accredited Members	LIA, ISO9001:2015, ISO14001:2015

JCC Lighting

Innovation Centre, Beeding Close, Southern Cross
Trading Estate, Bognor Regis, West Sussex, PO22 9TS
Company Registration Number: 03044848 | VAT Number: 918544112
T: 01243 838999 | F: 01243 838998 | sales@jcc.co.uk | www.jcc.co.uk



JCC Lighting

Innovation Centre, Beeding Close, Southern Cross
Trading Estate, Bognor Regis, West Sussex, PO22 9TS
Company Registration Number: 03044848 | VAT Number: 918544112
T: 01243 838999 | F: 01243 838998 | sales@jcc.co.uk | www.jcc.co.uk