

JC2007BN

## Standard Mains IP20 Recessed Downlight HiSpot ES50 50W GU10 Brushed Nickel

### General Information

<b>Product Group</b>	Recessed
<b>Product Range</b>	Residential
<b>Lighting Product Type</b>	Downlight
<b>Product Shape</b>	Round
<b>Mounting</b>	Recessed
<b>Product Weight</b>	0.11kg
<b>Color Finish</b>	Brushed Nickel
<b>Recommended Product Location</b>	Ceiling application, indoor use only
<b>Minimum Void Requirement</b>	140mm
<b>Method Of Fix</b>	Spring clips- push fit (standard)
<b>Product Aperture Size</b>	62mm

#### JCC Lighting

Innovation Centre, Beeding Close, Southern Cross  
Trading Estate, Bognor Regis, West Sussex, PO22 9TS  
Company Registration Number: 03044848 | VAT Number: 918544112

T: 01243 838999 | F: 01243 838998 | [sales@jcc.co.uk](mailto:sales@jcc.co.uk) | [www.jcc.co.uk](http://www.jcc.co.uk)

---

<b>IP Rating</b>	IP20
<b>Environment</b>	Indoor
<b>Recommended Fire Hood</b>	JC93001
<b>Lamp Supplied</b>	No (50W GU10)
<b>Guarantee</b>	2 year guarantee

---

## Electrical

---

<b>Voltage Rating</b>	220-240
<b>Operating Frequency (Hz)</b>	50/60Hz
<b>CC or CV</b>	CC
<b>Class</b>	Class II, No earth required
<b>EMC Compliant (EN55015)</b>	yes
<b>Dimmable</b>	No

---

## Performance Data

---

<b>Energy Rating</b>	This luminaire is compatible with bulbs of the energy class A+ to E
----------------------	---

---

## Construction

---

<b>Primary Material</b>	Steel
-------------------------	-------

---

## Packaging

---

<b>Bar Code EAN Number</b>	5052544002526
----------------------------	---------------

---

## Standards & Approvals

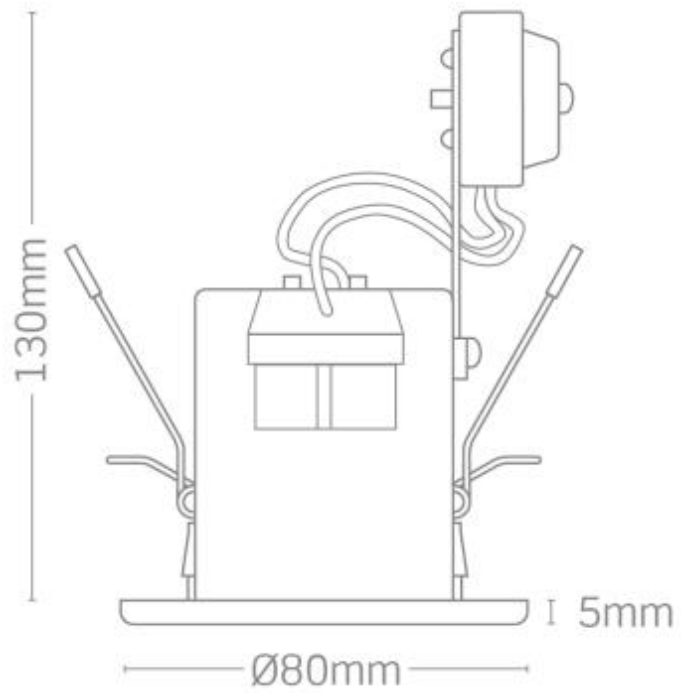
---

<b>Listings</b>	CE
<b>Manufactured In Accordance To</b>	BS EN 60598-2-1
<b>CE Marked</b>	yes
<b>Batch Coded</b>	yes
<b>Certificate Of Conformity</b>	yes
<b>Accredited Members</b>	LIA, ISO9001:2015, ISO14001:2015

---

### JCC Lighting

Innovation Centre, Beeding Close, Southern Cross  
Trading Estate, Bognor Regis, West Sussex, PO22 9TS  
Company Registration Number: 03044848 | VAT Number: 918544112  
T: 01243 838999 | F: 01243 838998 | sales@jcc.co.uk | www.jcc.co.uk



---

**JCC Lighting**

Innovation Centre, Beeding Close, Southern Cross  
Trading Estate, Bognor Regis, West Sussex, PO22 9TS  
Company Registration Number: 03044848 | VAT Number: 918544112  
T: 01243 838999 | F: 01243 838998 | sales@jcc.co.uk | www.jcc.co.uk