

# Skytile® Direct/Indirect

Installation guide for Skytile® recessed LED panels



## Important information

- It is recommended that luminaires are installed by a qualified electrician to ensure the installation complies with the local current wiring regulations.
- Any broken or damaged parts should be replaced as soon as possible. JCC will not accept responsibility for claims arising from sub-standard installations.
- This product is for indoor use only and should not be covered by any insulated material.
- The light source of this luminaire is not replaceable: When the light source reaches the end of its life, the whole of the luminaire must be replaced.
- It may be necessary to upgrade your MCBs to allow for increased inrush current.

## INSTALLATION

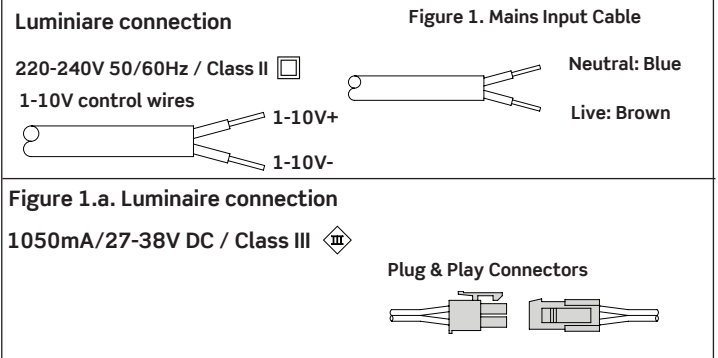
ENGLISH

- Read instructions and check that you have all of the tools and accessories required to complete the installation correctly. Isolate power supply before starting the installation.

## Standard luminaire installation

1. Remove the ceiling tile or tiles from the location where you wish to install the LED panel.
2. Wire the LED driver to the mains supply as indicated in figure 1.
3. Move LED panel into the ceiling aperture and when positioned halfway connect the driver low voltage output to the LED panel (luminaire) as shown in figure 1.a.
4. Position the LED panel into place in the grid ceiling.
5. Reconnect mains power supply and test for operation.

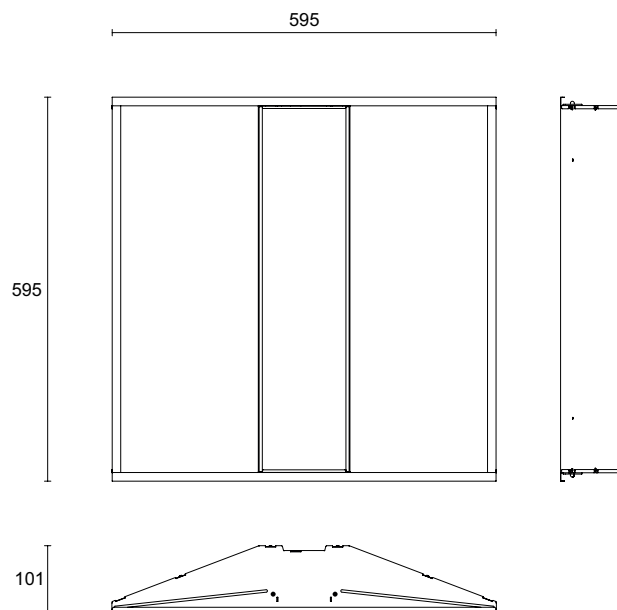
**JC71376/1-10V Specification:** Ra: 80  
Wattage: 35 Watts  
CCT: 4000K



## Important warranty information

Skytile® is Direct/Indirect s supported by a 5 year extended commercial warranty, which must be registered online at [jcc.co.uk/warranty](http://jcc.co.uk/warranty). The installer will be asked to provide the following information, which is detailed on a label attached to the luminaire's chassis: Product Code/Batch Code.

## Profile & Dimensions



All dimensions in millimetres



**jcc.co.uk**  
V1\_Jan\_2018\_KB