

# Skydisc™ IP20 Range

Installation instructions for LED commercial downlights



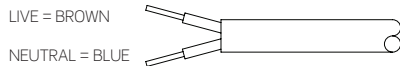
## Warnings & Cautions

- To avoid electric shock, serious injury or property damage, isolate power before installing, removing or servicing the product.
- It is recommended that luminaires are installed by a qualified electrician to ensure the installation complies with the local current wiring regulations.
- Any broken or damaged parts should be replaced as soon as possible. JCC will not accept responsibility for claims arising from sub-standard installations; which will void the warranty.
- This product is designed for connection to a 220-240V~ 50/60Hz.
- It may be necessary to upgrade your MCBs to allow for increased inrush current.
- The light source of this luminaire is not replaceable: when the light source reaches the end of its life the whole of the luminaire must be replaced.
- This product is suitable for indoor use only.
- Read instructions and check that you have all of the tools and accessories required to complete the installation correctly. Isolate power supply before starting installation.

## INSTALLATION

ENGLISH

220-240V~ 50/60Hz / Class II

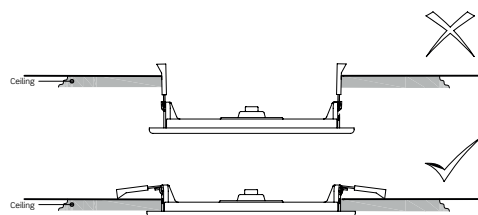


Double insulated- no earth required

## Installation procedure

- Cut the mounting hole in the ceiling (refer to Fig.1). (JCC recommends that a sample hole is cut in a section of spare material to familiarize yourself with the process).
- Ensure there is a minimum of 75mm space around the fitting. DO NOT COVER the fitting with insulation as indicated by this symbol on the luminaire.
- Connect the mains supply to the luminaire driver as above.
- Turn on the power supply to test the fitting. Once satisfied that the luminaire is functioning correctly, press the spring clips against the side of the luminaire and fit into the aperture.

**Note:** when fitting the luminaire do not partially install as shown below as this can cause damage to the fitting ie. if decorating.



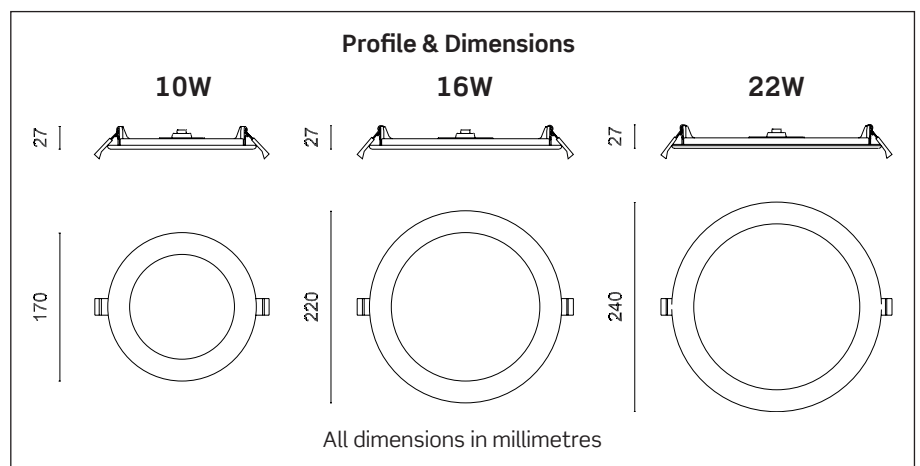
### PLEASE NOTE

When converting to emergency version using JCEM001/JCEM001ST, to access DC connectors remove green cover on the DC side of the driver. Once connected, replace connectors inside driver and refit cover.

Figure 1.

Variant	Driver output VDC	Cut out size
10W	33.6-39.6VDC	Ø150mm-160mm
16W	53.2-62.7VDC	Ø200mm-210mm
22W	67.2-79.2VDC	Ø220mm-230mm

Code	Wattage	Colour Temperature	Lumens	LpcW
JC72401	10W	4000K	770	77
JC72402	16W	4000K	1300	81
JC72403	22W	4000K	1750	80
JC72404	10W	4700K	770	77
JC72405	16W	4700K	1300	81
JC72406	22W	4700K	1750	80
JC73404	10W	5700K	770	77
JC73405	16W	5700K	1300	81
JC73406	22W	5700K	1750	80



**jcc.co.uk**

## Important warranty information

This product is supported by a 2-year standard warranty which will extend to 3 years if registered within the first year of purchase. Please register at [jcc.co.uk/warranty](http://jcc.co.uk/warranty) - Terms and conditions apply.

The installer will be asked to provide the following information, which is detailed on a label attached to the luminaire's chassis: Product Code/Date Code.

BS EN ISO9001 - 2015 - Registered Firm Certificate No. GB 1552

JCC Lighting Products Ltd. Innovation Centre, Beeding Close, Southern Cross Trading Estate, Bognor Regis, West Sussex, PO22 9TS, United Kingdom

**Technical Support: +44(0)1243 838986 Customer Services: +44(0)1243 838999**