

Please read these instructions before installation and retain for future reference

MAINLINE 3 CIRCUIT TRACK RANGE

JC88109

**Mainline Three
Circuit Track**

(16 Amp max)
per circuit

"T" Connector Right Side Earth

Available in: Black or White



Important Information

It is recommended that luminaires are installed by a qualified electrician who should ensure that the installation complies with the current IEE wiring regulations BS7671: 2008. Any broken or damaged parts should be replaced as soon as possible. JCC will not accept responsibility for any claims arising from a sub-standard installation.

Important User Advice

Always switch off mains supply before fitting or servicing.

Cutting Track

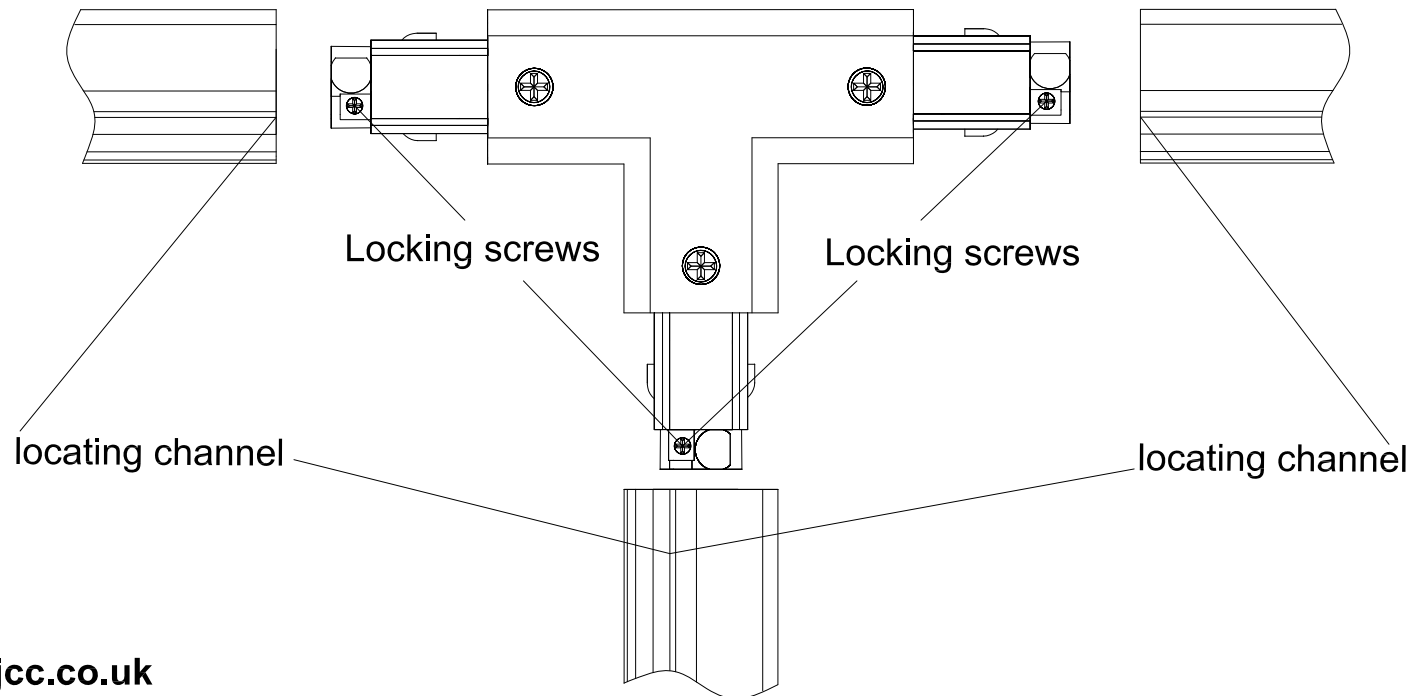
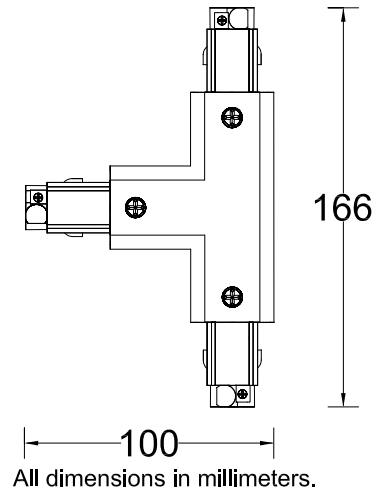
When reducing the length of track i.e. cutting down. It is recommended that a piece of masking tape be wrapped around the intended cutting area, this will ensure the powder coated or plated finish does not lift and chip. It is recommended for a good electrical connection the installer should always mark out and cut track accurately using an engineers square prior to cutting.

Hint

Our recommendation would be to remove a section of material from the end of the track that is opposite to that of the "T" Connector. This would ensure a perfect connection and trouble free operation. Always ensure that the locking screws are tightened.

If you should experience any difficulties connecting Mainline 3 circuit components please check that they are correctly orientated. The locating channel inside the track will only allow the correct handed accessory to be inserted.

Profile & Dimensions



jcc.co.uk

BS EN ISO9001 - 2008
Registered Firm Certificate No. GB 1552

Drg No. JC88109-IS Issue: A - 18.11.14 - RCS