

Please read these instructions before installation and retain for future reference

**NITELED™ WALL SPHERE**

**JC39418**

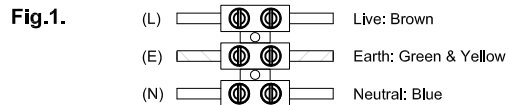
Light Source: LED  
 Total Circuit Wattage: 10W  
 Cap: Integral  
 Colour Temp: 4000K  
 Ra: 80  
 Luminous Flux: 600lm  
 Luminaire Body: Die-cast Aluminium  
 Luminaire Diffuser: Opal Polycarbonate

Supply / Earth Class

**240V 50Hz / Class I** 

Class I products must always be earthed

**Luminaire Mains Supply**



**CE IP54**  

BS EN ISO9001 - 2008  
 Registered Firm Certificate No. GB 1552

Drg No. JC39418-IS Issue: G - 20.07.16 - KB

**Important Information**

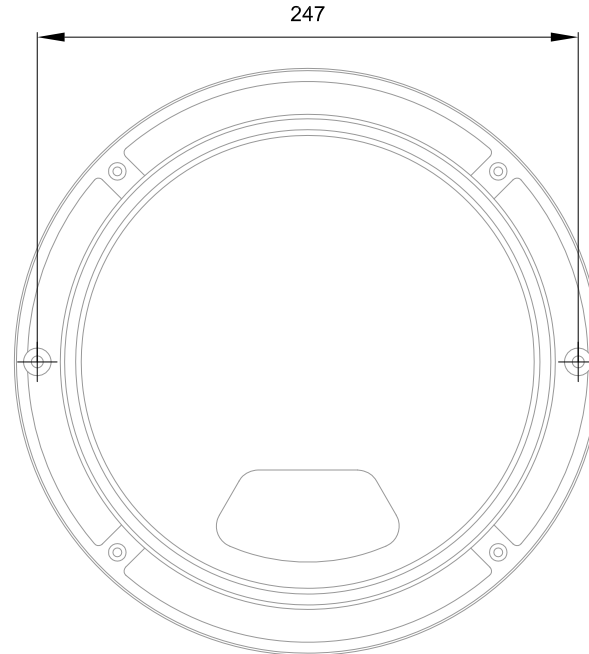
It is recommended that luminaires are installed by a qualified electrician who should ensure that the installation complies with the current IEE wiring regulations BS7671: 2008. Any broken or damaged parts should be replaced as soon as possible. JCC will not accept responsibility for any claims arising from a sub-standard installation.

**Installation Notes**

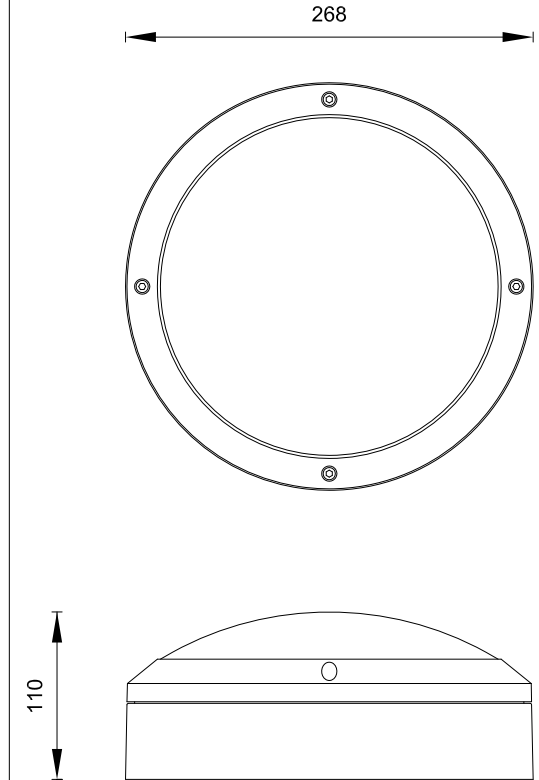
Do not install this product on walls that have been freshly painted or plastered. The mounting surface must be completely dry at the time of fitting. Always ensure that the mains supply is isolated before installing.

**Installation Procedure**

1. Select a suitable location to install this luminaire.
2. Remove the diffuser and rim by loosening the four securing screws with an Allen key.
3. Mark the mounting hole positions by either using the base of the unit as a template or by measuring the correct distance as specified in the diagram below.
4. Drill the mounting holes.
5. Insert suitable wall plugs.
6. Affix the base of the unit to the mounting surface with suitable screws, ensuring mains input wires are passed through the grommet in the back of the fitting.
7. Terminate the mains input wiring to the terminal block as per Fig.1.
8. Re-attach the diffuser and rim.
9. Apply mains power and check that the unit illuminates.



**Profile & Dimensions**



All dimensions in millimeters.

**General Maintenance Requirements**

JCC Lighting Products would recommend that the following maintenance is performed in order to prolong the life of this product: During installation, and then bi-annually, grease or lubricate removable fixings, thus ensuring future maintenance is trouble free. Clean Luminaire with warm water to remove any surface deposits. Do not use abrasive cleaners.