

Please read these instructions before installation and retain for future reference

NITELED™ GROUND SPIKE

JC39417

Light Source: LED
Total Circuit Wattage: 10W

Cap: Integral

Colour Temp: 4000K

Ra: 70

Luminous Flux: 600lm

Body Material: Die-cast

Aluminium

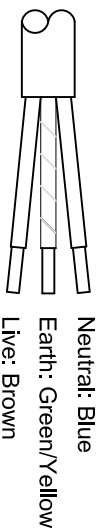
Diffuser Material: Tempered

Glass

Supply / Earth Class

240V 50HZ / CLASS I 

Class I products must always be earthed



BS EN ISO9001 - 2008
Registered Firm Certificate No. GB 1552

Drig No. JC39417-1S Issue: H-19.07.16 - KB

Important Information

It is recommended that luminaires are installed by a qualified electrician who should ensure that the installation complies with the current IEE wiring regulations BS7671 : 2008.

Any broken or damaged parts should be replaced as soon as possible.

JCC will not accept responsibility for any claims arising from a sub-standard installation.

Installation Notes

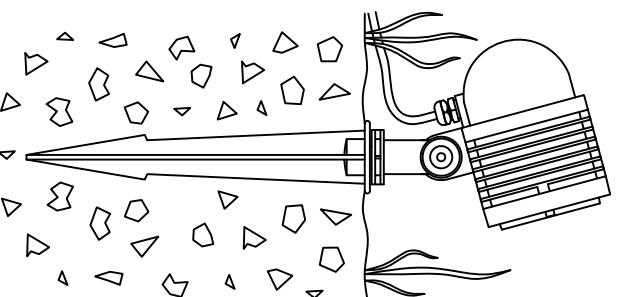
Do not install this product in areas subjected to localized flooding: it has been rated for use in wet locations, but should not be subjected to periods where it is fully immersed in water.

Always ensure that the mains supply is isolated before installation is begun.

Installation Procedure

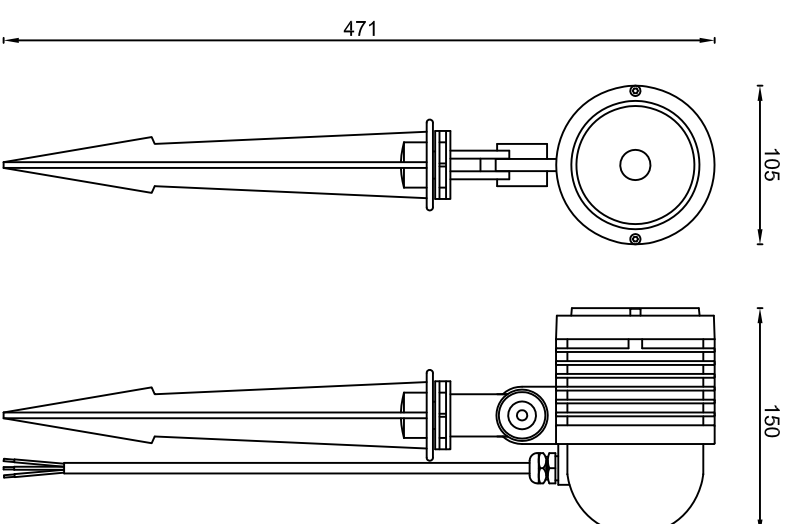
1. Select a suitable area to install this luminaire.
2. Drive the mounting spike into the ground. If the ground is particularly hard the spike can be unscrewed from the luminaire section to avoid damage if more force is needed.
3. Prepare and terminate the supply cable to a suitably rated connection box.
4. Reconnect the power and check that the luminaire is operational.

Typical installation



Avoid areas
prone
to flooding!

Profile & Dimensions



All dimensions in millimeters.

General Maintenance Requirements

JCC Lighting Products recommends that the Stainless Steel components of this product is cleaned with warm water and dried with a chamois leather or absorbent dry cloth.

Weathering, environmental pollution and bird droppings should be cleaned off with a non-abrasive stainless steel cleaner.

To preserve the finish of this product please clean every two to three months.

During installation, and then bi-annually, grease or lubricate removable fixings, thus ensuring future maintenance is trouble free.

jcc.co.uk