

RADIALED®OPTIMUM

JC23353WOP

Microwave Surface Bulkhead

Light source: Integral LED

Total circuit Wattage: 19W

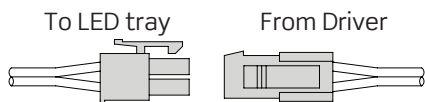
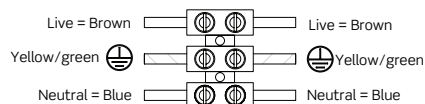
Luminous flux: 1600 lumens

Efficacy: 84 LpcW

Colour temp: 4000K

Ra: 80

220-240V~ 50/60Hz Class I 



CE **RoHS**   **IP65**

BS EN ISO9001 - 2008

Registered Firm Certificate No. GB 1552

Drg No. JC23353WOP-IS Issue: A- 16.11.16 RCS

Installation Sheet

Please read these instructions before installation and retain for future reference

Important Information

- It is recommended that luminaires are installed and fitted by a qualified electrician ensuring the installation complies with current IEE wiring regulations BS7671:2008 & local building control.
- These products are designed for connection to a 220-240V 50/60Hz supply.
- Any broken or damaged parts should be replaced as soon as possible.
- JCC will not accept responsibility for any claims arising from a poor installation.
- **The light source of this luminaire is not replaceable: when the light source reaches its end of life, the whole of the luminaire must be replaced.**

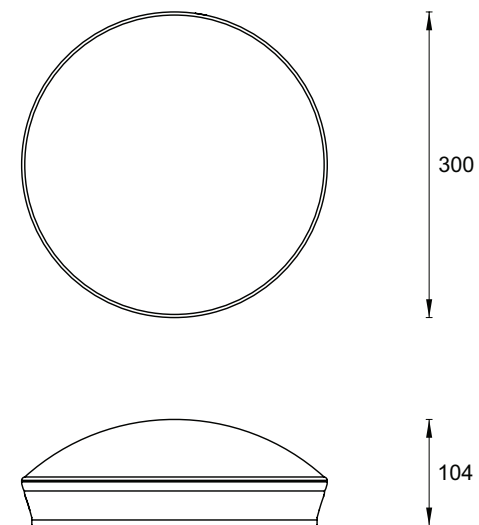
Important User Advice

- It is recommended that the ambient room temperature should not exceed 30°C.
- Ensure that there is adequate free air ventilation around the fitting.
- The installation must not infringe on water pipes or any other electrical services.
- It may be necessary to uprate your MCBs to allow for increased inrush current.
- Always switch off mains supply before fitting or servicing.
- This luminaire is suitable for indoor and outdoor use.
- The diffuser is packed separately and not fitted to the luminaire.

Installation

1. Isolate supply voltage before working with electrics.
2. All termination points are under the LED tray, and this can be removed by loosening the three locating screws and rotating the tray until keyhole slots allow removal.
3. Pass supply wires through grommet or CTS gland.
4. Fix base in desired location, taking care to avoid hidden pipes and cables. Ensure the three flat rubber washers are used on the fixing screws.
5. Make all electrical connections as shown to the left.
6. Re-attach LED tray to mounts and tighten screws.
7. Set microwave sensor to required setting using separate guide.
8. Fit the diffuser by aligning the three locating lugs on the diffuser with the three lugs on the rim of the base. Once aligned rotate the diffuser clockwise until tight; ensure gasket is seated correctly.
9. Reinstall the diffuser retaining screw ensuring the rubber washer is in place shown in the diagram to the right.
10. Switch on the mains and test for correct operation.

Profile & Dimensions



All dimensions in millimetres

