

Architectural LED Pendant

Installation instructions for Architectural LED Pendant

Warnings & Cautions

- To avoid electric shock, serious injury or property damage, isolate power before installing, removing or installing the product.
- It is recommended that luminaires are installed by a qualified electrician and the installation complies with the local current wiring regulations.
- It may be necessary to upgrade your MCBs to allow for increased inrush current.
- Any broken or damaged parts should be replaced as soon as possible. JCC will not accept responsibility for claims arising from sub-standard installations; which will void the warranty.
- These products are designed for connection to a 200-240V~ 50Hz.
- This product is for indoor use only.
- Triac dimmable as standard.

INSTALLATION

ENGLISH

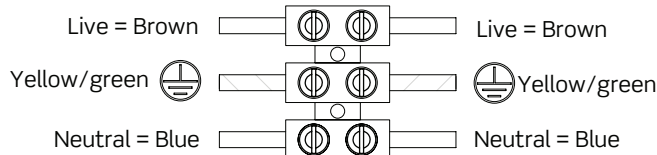
- Read instructions and check that you have all of the tools and accessories required to complete the installation correctly. Isolate power supply before starting the installation.

Specifications Ra: 80 to 85

10W	
Luminous Flux	870/910
Efficacy	87/91LpcW
Colour Temp (K)	3000K/4000K
18W	
Luminous Flux	1500/1600
Efficacy	83/89LpcW
Colour Temp (K)	3000K/4000K
25W	
Luminous Flux	2000/1950
Efficacy	80/78LpcW
Colour Temp (K)	3000K/4000K

200-240V 50Hz / Class I

Figure 2a. Mains Input Cable



Installation

- Determine mounting location using the mounting bracket as a template, drill holes and insert plastic plugs provided before fixing bracket with screws into the ceiling. See Fig.1 for reference.
- Connect the mains supply as indicated in Fig.2a & Fig.2b.
- Align mounting holes between back plate and mounting bracket, then secure together with screws provided. See Fig.3 for reference.
- Reconnect mains power supply and test for operation.

Please Note: Pendant cord can be shortened if required by a competent person from the terminal block end only. Do not shorten the cord to less than 300mm.

Fig.1

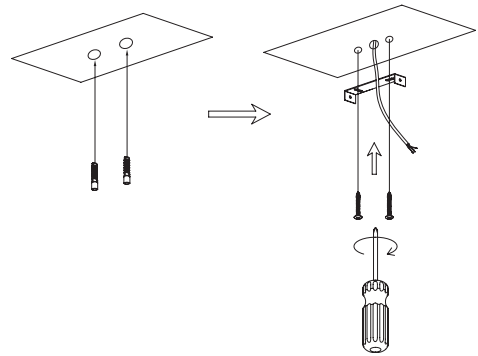


Fig.2b

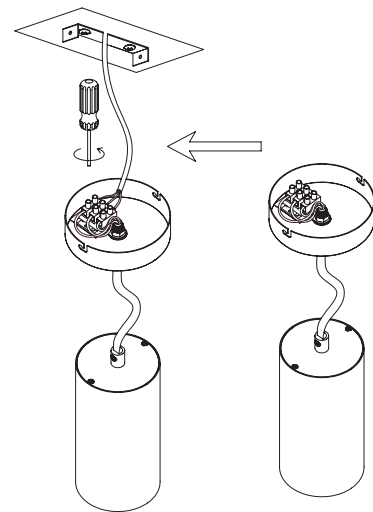
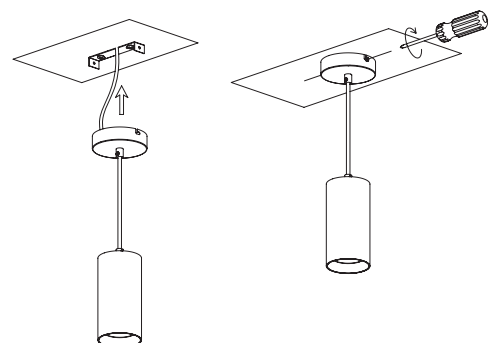
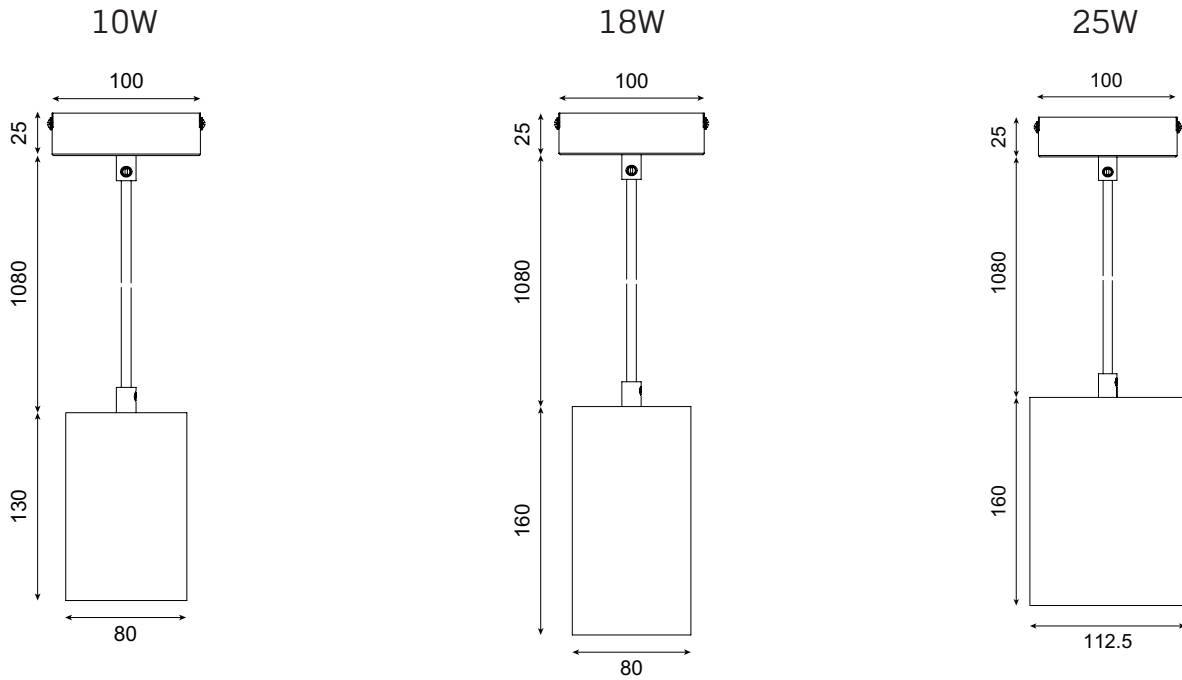


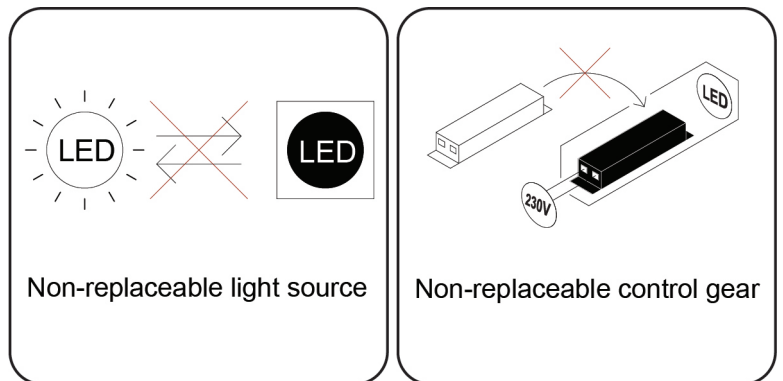
Fig.3



Profile & Dimensions



All dimensions in millimetres



You can help protect the environment. Please remember to respect the local regulations: hand in the non-working electrical equipment to an appropriate waste disposal centre. The packaging material is recyclable. Dispose of the packaging in an environmentally friendly manner and make it available for the recyclable material collection service.

Important warranty information

This product is supported by a 2-year standard warranty which will extend to 3 years if registered within the first year of purchase. Please register at jcc.co.uk/warranty - Terms and conditions apply.

The installer will be asked to provide the following information, which is detailed on a label attached to the luminaire's chassis:
Product Code/Date Code.