

High Output Dome Pendant

Installation instructions

Warnings & Cautions

- It is recommended that luminaires are installed by a qualified electrician to ensure the installation complies with the local current wiring regulations.
- Any broken or damaged parts should be replaced as soon as possible. JCC will not accept responsibility for claims arising from sub-standard installations.
- The external flexible cable or cord of this luminaire cannot be replaced; if the cord is damaged the luminaire shall be destroyed.
- Terminal block not included. Installation may require advice from a qualified person.
- These products are designed for connection to a 220-240V~50/60Hz supply.
- The light source of this luminaire is not replaceable by the end user. The light source contained in this luminaire shall only be replaced by the manufacturer or their service agent or a similar qualified person.
- This luminaire is suitable for indoor and outdoor use.
- It may be necessary to upgrade your MCBs to allow for increased inrush current.
- This is a non-dimmable product.

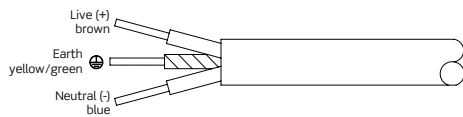
INSTALLATION

ENGLISH

Standard version connection

220-240V~ 50/60Hz / Class I

Figure 1. Mains input

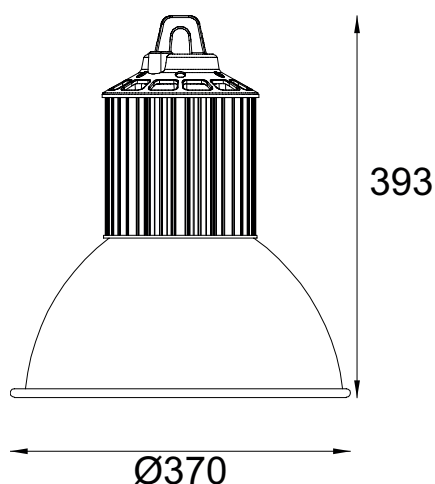


Terminal block must comply to EN 60998-2-1 or EN 60998-2-2

Terminal block specification:

Number of Ways	3
Mounting Type	Through Hole
Pitch	8mm
Current Rating	24A
Termination Method	Screw Down
Wire Size	2.5 mm ²
Material	Nylon
Voltage Rating	380 V
Maximum Operating Temperature	+125°C
Contact Material	Brass
Contact Plating	Nickel

Profile & Dimensions



All dimensions in millimetres

Specifications Ra: 80

Code	Wattage	Colour Temp	Beam angle
JC71860BLK	30	3000K	45°
JC71860WH	30	3000K	45°
JC71861BLK	30	4000K	45°
JC71861WH	30	4000K	45°

Available finishes: Black(BLK) or white(WH)

- Read instructions and check that you have all of the tools and accessories required to complete the installation correctly. Isolate power supply before starting the installation.

Standard version installation procedure

1. The luminaire comes with a fixed eye for suspension as standard. (suspension chain not supplied). Fix luminaire in desired location, ensuring that the support chain used is strong enough to support the weight of the luminaire; which is 2.3kg.
2. Connect the mains input as shown in Fig.1, using a suitable connector. Terminal block specification is indicated on the left for reference.
3. Once connected, turn on mains supply and test operation.



RoHS
Compliant



IP20 **jcc.co.uk**

Important warranty information

This product is supported by a 2-year standard warranty which will extend to 3 years if registered within the first year of purchase. Please register at jcc.co.uk/warranty - Terms and conditions apply.

The installer will be asked to provide the following information, which is detailed on a label attached to the luminaire's chassis: Product Code/Date Code.

BS EN ISO9001 - 2015 - Registered Firm Certificate No. GB 1552

JCC Lighting Products Ltd. Innovation Centre, Beeding Close, Southern Cross Trading Estate, Bognor Regis, West Sussex, PO22 9TS, United Kingdom

Technical Support: +44(0)1243 838986 Customer Services: +44(0)1243 838999

V7_July_2020_GL